

© 2007 GN A/S. All rights reserved. Jabra® is a registered trademark of GN A/S. All other trademarks included herein are the property of their respective owners. The Bluetooth® word mark and logos are owned by the Bluetooth SIG, Inc. and any use of such marks by GN A/S is under license. (Design and specifications subject to change without notice).



Jabra JX 10 cara

Design by Jacob Jensen



www.jabra.com

Made in China



Jabra

Bluetooth® headset

User manual

Jabra

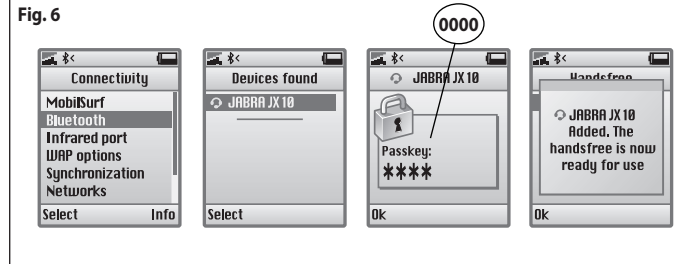
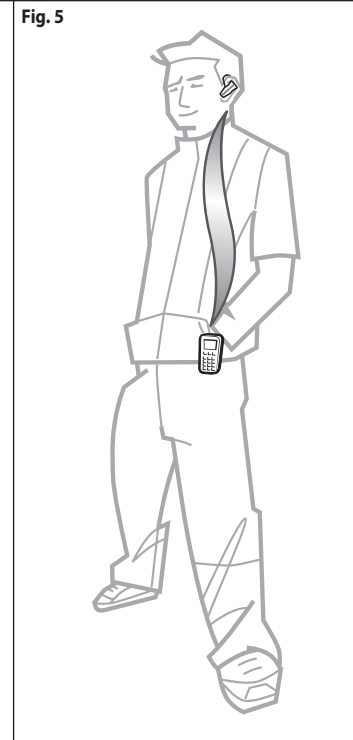
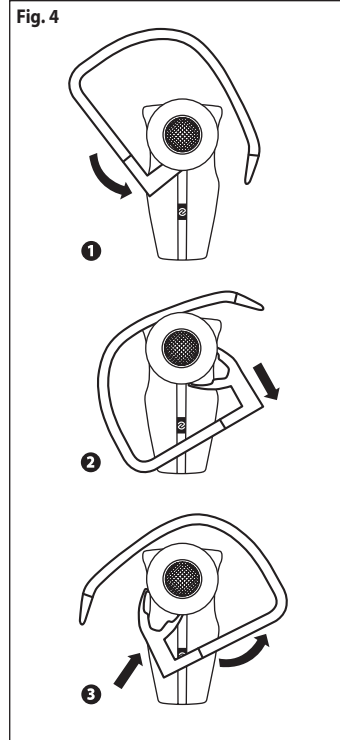
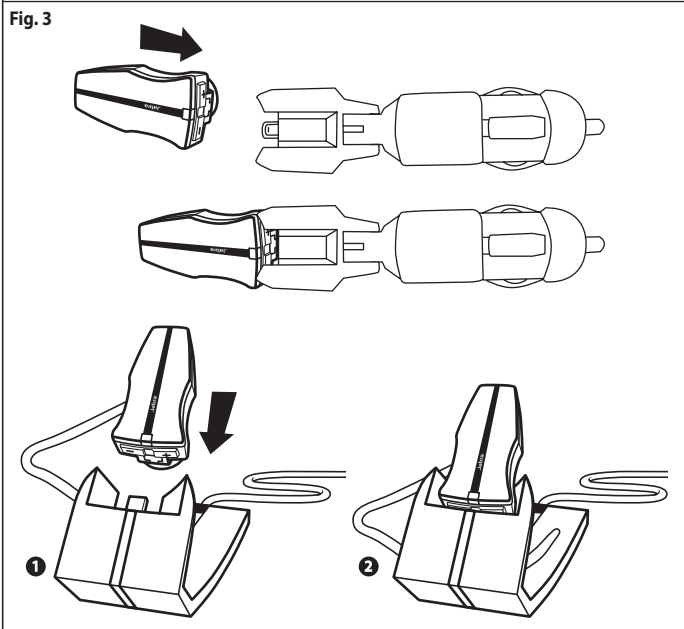
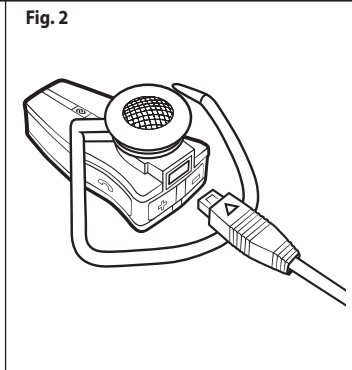
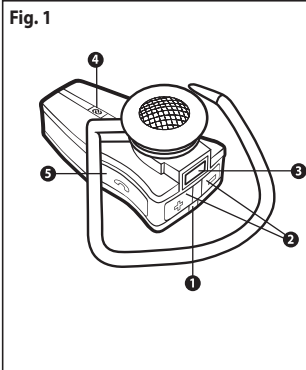
TOLL FREE Customer Contact Details:

Phone Numbers:

Belgique/Belgie	00800 722 52272
Danmark	702 52272
Deutschland	0800 1826756
Die Schweiz	00800 722 52272
España	900 984572
France	0800 900325
Italia	800 786532
Luxembourg	00800 722 52272
Nederland	0800 0223039
Norge	800 61272
Österreich	00800 722 52272
Portugal	00800 722 52272
Suomi	00800 722 52272
Sverige	020792522
United Kingdom	0800 0327026
International	00800 722 52272

Email Addresses:

Deutsch	support.de@jabra.com
English	support.uk@jabra.com
Français	support.fr@jabra.com
Italiano	support.it@jabra.com
Nederlands	support.nl@jabra.com
Español	support.es@jabra.com
Scandinavian	support.no@jabra.com



English..... 3
 Русский 15
 Ploski.....27
 Türkçe.....39
 ČESKY51
 Magyar63
 العربية75

Jabra

JX10 Cara

Design by Jacob Jensen

English



Русский



Polski



Türkçe



ČESKY



Magyar



العربية



English

Thank you	4
About your Jabra JX10 cara.....	5
What your new headset can do.....	6
Getting started	6
Charge your headset.....	7
Turning your headset on and off.....	7
Pair it with your phone	7
Wear it how you like it.....	7
How to	8
What the lights mean	9
Using Jabra JX10 cara with 2 mobiles phones	9
Using a Bluetooth Hub.....	9
Troubleshooting & FAQ	10
Need more help?.....	10
Taking care of your headset	10
Service and Warranty information	11
Certification and safety approvals	12
Glossary	12

Thank you

Thank you for purchasing the Jabra JX10 cara Bluetooth® Headset. We hope you enjoy it! This instruction manual will get you started and ready to make the most of your headset.

WARNING!

Headsets are capable of delivering sounds at loud volumes and high pitched tones. Exposure to such sounds can result in permanent hearing loss damage. The volume level may vary based on conditions such as the phone you are using, its reception and volume settings, and the environment. Please read the safety guidelines below prior to using this headset.

Safety guidelines

1. Prior to using this product follow these steps:

- before putting on the headset, turn the volume control to its lowest level,
- put the headset on, and then
- slowly adjust the volume control to a comfortable level.

2. During the use of this product

- Keep the volume at the lowest level possible and avoid using the headset in noisy environments where you may be inclined to turn up the volume;
- If increased volume is necessary, adjust the volume control slowly; and
- If you experience discomfort or ringing in your ears, immediately discontinue using the headset and consult a physician.

With continued use at high volume, your ears may become accustomed to the sound level, which may result in permanent damage to your hearing without any noticeable discomfort.

Using the headset while operating a motor vehicle, motorcycle, watercraft or bicycle may be dangerous, and is illegal in some jurisdictions. Check your local laws. Use caution while using your headset when you are engaging in any activity that requires your full attention. While engaging in any such activity, removing the headset from your ear area or turning off your headset will keep you from being distracted, so as to avoid accident or injury.

3. Keep out of reach of children:

The plastic bags the product and its parts are wrapped in are not toys for children. The bags themselves or the many small parts they contain may cause choking if ingested. Never try to dismantle the product yourself. None of the internal components can be replaced or repaired by users.

Only authorised dealers or service centres may open the product. If any parts of your product require

replacement for any reason, including normal wear and tear or breakage, contact your dealer.

Avoid exposing the product to rain or other liquids.

Dispose of the product according to local standards and regulations.

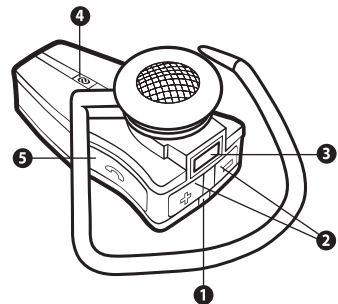
www.gnnetcom.com/weee

4. ACA TS028 – Ignition of flammable atmospheres

Do not use the Headset in environments where there is a danger of ignition of flammable gases.

About your Jabra JX10 cara

1. LED light
 - Blue indicates mode (pairing, active or standby)
 - Red/green indicates battery level (low, charging, or charged)
2. Volume up (+), volume down (-)
3. Charging socket
4. Pairing button – press to put headset into pairing mode
5. Answer/end button
 - Press to turn headset on (blue flash burst indicates success)
 - Press and hold to turn headset off (blue flash burst indicates success)
 - Tap to answer or end a call



What your headset can do

Your Jabra JX10 cara lets you do all this (dependent on your phone supporting the function):

- Answer calls
- End calls
- Reject calls*
- Voice dialling*
- Last number redialling*
- Call waiting*
- Put call on hold*

* Phone dependent

Specifications

- Up to 6 hours talk time/standby time up to 200 hours
- Rechargeable battery with charging option from AC power supply, PC via USB cable, desktop charger or car charger
- Less than 17 grams
- Operating range up to 10 metres (approx. 33 feet)
- Headset and hands-free Bluetooth profiles
- Bluetooth specification (see **glossary**) version 1.2

GETTING STARTED

The Jabra JX10 cara is easy to operate. The answer/end button on the headset performs different functions depending on how long you press it.

Instruction:	Duration of press
Tap	Press briefly
Double Tap	2 quickly repeated Taps
Press	Approx: 1 second
Press and hold	Approx: More than 3 seconds

1 Charge your headset

Make sure that your Jabra JX10 cara headset is fully charged before you start using it. Use the AC adaptor to charge from a power socket, or charge directly from your PC with the USB cable provided, or through your car charger - see fig. 3. Connect your headset as shown in fig. 2.

When the LED is solid red, your headset is charging.

When the LED is green, it is fully charged.

Charge from your desktop holder

Connect your USB cable/AC power adaptor to the desktop holder. Place your JX10 cara in the desktop holder as shown in fig. 3


Please note: The lifetime of the battery will be significantly reduced if your device is left uncharged for a long period. We therefore recommend that you recharge your device at least once a month.

2 Turning your headset on and off

- Press the answer/end button to turn on your headset.
- Press and hold the answer/end button to turn off your headset.

3 Pair it with your phone

Before you use your Jabra JX10 cara, you need to pair it with your mobile phone.

1. Put the headset in pairing mode
 - Make sure the headset is on.
 - Press the pairing button marked .

2. Set your Bluetooth phone to 'discover' the Jabra JX10 cara
Follow your phone's instruction guide. This usually involves going to a 'setup,' 'connect' or 'Bluetooth' menu on your phone and selecting the option to 'discover' or 'add' a Bluetooth device. * (See example from a typical mobile phone in fig. 6).

3. Your phone will find the Jabra JX10 cara
Your phone then asks if you want to pair with it. Accept by pressing 'Yes' or 'OK' on the phone and confirm with the passkey or PIN = 0000 (4 zeros). Your phone will confirm when pairing is complete. In case of unsuccessful pairing, repeat steps 1 to 3.

4 Wear it how you like it

The Jabra JX10 cara is ready to wear on your right ear. If you prefer the left, gently remove the earhook and rotate to fit left ear. (See fig. 4)

5 How to...

Answer a call

- Tap the answer/end button on your headset to answer a call.

End a call

- Tap the answer/end button to end an active call.

Make a call

- When you make a call from your mobile phone, the call will (subject to phone settings) automatically transfer to your headset. If your phone does not allow this feature, tap on the Jabra JX10 cara's answer/end button to transfer the call to the headset.

Reject a call*

- Press the answer/end button when the phone rings to reject an incoming call. Depending on your phone settings, the person who called you will either be forwarded to your voice mail or hear a busy signal.

Activate voice dialling*

- Press the answer/end button. For best results, record the voice-dialling tag through your headset. Please consult your phone's user manual for more information about using this feature.

Redial last number*

- **Double Tap** the answer/end button when the headset is on and not used.

Adjust sound and volume

- Press the volume up or down (+ or -) to adjust the volume. (*Show fig 1*).

Call waiting and placing a call on hold*

This lets you put a call on hold during a conversation and answer a waiting call.

- Press the answer/end button once to put the active call on hold and answer the waiting call.
- Press the answer/end button to switch between the two calls.
- Tap the answer/end button to end the active conversation.

* Functions marked with * are dependent on your phone supporting these features. Check your phone's user manual for further information.

6 What the light means

What you see	What does this mean about your headset
Flashing blue light	Flashing every second: active on a call
Flashing blue light	Flashing every three seconds: in standby mode
Flashing red light	Running low on battery
Solid red light	Charging
Solid green light	Fully charged
Solid blue light	In pairing mode – see section 3

7 Using Jabra JX10 cara with 2 mobile phones

Jabra JX10 cara is capable of having two mobile phones connected to the headset at the same time. This will give you the freedom of having only headset to operate both your mobile phones and the operation of the functions in the headset functions as described in section 5.

Only it must be observed that Last Number Redial will dial the number from the last outgoing call, independent of the mobile phones, and the Voice Dialling function only will work on the last paired mobile phone.

8 Using a Jabra Bluetooth Hub

The Jabra JX10 cara can be used along with the Jabra Bluetooth Hub (sold separately). This will enable you to use the headset with both your mobile phone and your office phone.

To pair the Jabra JX10 cara with the Jabra Bluetooth Hub

The pairing process is a little different:

- Put your Jabra JX10 cara in pairing mode
- Put the Jabra JX10 cara in pairing mode.
- Place them close together. You do not need a dedicated pin code to pair the two Jabra products. Consult the Jabra Bluetooth Hub user manual for more information on how to connect the Bluetooth hub to your office phone.

The use of the Jabra JX10 cara with the Jabra Bluetooth Hub is very similar to using the headset with a mobile phone only. The only difference lies in the transfer of a call to the headset from the office phone.

Transfer the call to the headset

- Tap the answer/end button to transfer the call from the office phone to the headset via the Jabra Bluetooth Hub

The answering of a call from the office phone requires a hook lifter in order to have the Jabra JX10 cara answer the call automatically.

9 Troubleshooting & FAQ

I hear crackling noises

For the best audio quality, always wear your headset on the same side of the body as your mobile phone.

I cannot hear anything in my headset

- Increase the volume on the headset.
- Ensure that the headset is paired with the phone.
- Make sure that the phone is connected to the headset – if it does not connect either from the phone's Bluetooth menu or by tapping the answer/end button, follow the pairing procedure (see section 3).

I have pairing problems even though my phone indicates otherwise

You may have deleted your headset pairing connection in your mobile phone.

Follow the pairing instructions in section 3.

Will the Jabra JX10 cara work with other Bluetooth equipment?

The Jabra JX10 cara is designed to work with Bluetooth mobile phones. It can also work with other Bluetooth devices that are compliant with Bluetooth version 1.1 or 1.2 and support a headset and/or hands-free profile.

10 Need more help?

See the inside cover for your country's support details.

11 Taking care of your headset

- Always store the Jabra JX10 cara with the power off and safely protected
- Avoid storage at extreme temperatures (above 45°C/113°F – including direct sunlight – or below -10°C/14°F). This can shorten battery life and may affect operation. High temperatures may also degrade performance.
- Do not expose the Jabra JX10 cara to rain or other liquids.

12 Service and Warranty Information

Limited Two-Years Warranty

GN Netcom AS ("GN"), warrants this product to be free from defects in materials and workmanship (subject to the terms set forth below) for a period of one (1) year from the date of purchase ("Warranty Period"). During the Warranty Period, GN will repair or replace (at GN's discretion) this product or any defective parts ("Warranty Service"). If repair or replacement is not commercially practicable or cannot be timely made, GN may choose to refund to you the purchase price paid for the affected product. Repair or replacement under the terms of this warranty does not give right to any extension or a new beginning of the period of warranty.

Claims under the Warranty

To obtain Warranty Service, please contact the GN dealer from which you purchased this product or visit www.gnnetcom.com or www.jabra.com for further information about customer support.

You will need to return this Product to the dealer or ship it to the dealer or to GN (if so indicated on www.gnnetcom.com or www.jabra.com) in either its original packaging or packaging affording an equal degree of protection.

You will bear the cost of shipping the product to GN. If the Product is covered by the warranty, GN will bear the cost of shipping product back to you after the completion of service under this warranty. Return shipping will be charged to you for products not covered by the warranty or requiring no warranty repair.

The Following information must be presented to obtain Warranty Service: (a) the product, and (b) proof of purchase, which clearly indicates the name and address of the seller, the date of purchase and the product type, which is evidence that this product is within the Warranty Period. Please further include (c) your return address, (d) daytime telephone number, and (e) reason for return.

As part of GN/Jabra's efforts to reduce environmental waste you understand that the product may consist of reconditioned equipment that contains used components, some of which have been reworked. The used components all live up to GN/Jabra's high quality standards and comply with the GN product performance and reliability specifications. You understand that replaced parts or components will become the property of GN.

Limitation of Warranty

This warranty is only valid for the original purchaser and will automatically terminate prior to expiration if this product is sold or otherwise transferred to another party. The warranty provided by GN in this statement applies only to products purchased for use, and not for resale. It does not apply to open box purchases, which are sold "as is" and without any warranty.

Specifically exempt from warranty are limited-life consumable components subject to normal wear and tear, such as microphone windscreens, ear cushions, modular plugs, ear tips, decorative finishes, batteries, and other accessories.

This warranty is invalid if the factory-applied serial number, date code label, or product label has been altered or removed from this product.

This Warranty does not cover cosmetic damage or damage due to misuse, abuse, negligence, Acts of Nature, accident, disassembling or modification of, or to any part of, the product. This Warranty does not cover damage due to improper operation, maintenance or installation, or attempted repair by anyone other than GN or a GN dealer which is authorized to do GN warranty work. Any unauthorized repairs will void this warranty.

REPAIRS OR REPLACEMENTS AS PROVIDED UNDER THIS WARRANTY ARE THE EXCLUSIVE REMEDY OF THE CONSUMER. GN SHALL NOT BE LIABLE FOR ANY INCIDENTAL OR CONSEQUENTIAL DAMAGES FOR BREACH OF ANY EXPRESS OR IMPLIED WARRANTY ON THIS PRODUCT. EXCEPT TO THE EXTENT PROHIBITED BY LAW, THIS WARRANTY IS EXCLUSIVE AND IN LIEU OF ALL OTHER EXPRESS AND IMPLIED WARRANTIES WHATSOEVER, INCLUDING BUT NOT LIMITED TO THE WARRANTY OF MERCHANTABILITY AND FITNESS FOR A PRACTICAL PURPOSE.

NOTE! This warranty gives you specific legal rights. You may have other rights which vary from location to location. Some jurisdictions do not allow the exclusion or limitation of incidental or consequential damages or implied warranties, so the above exclusions may not apply to you. This warranty does not affect your legal (statutory) rights under your applicable national or local laws.

- 4 Passkey or PIN** is a code that you enter on your mobile phone to pair it with your Jabra JX10 cara. This makes your phone and the Jabra JX10 cara recognize each other and automatically work together.
- 5 Standby mode** is when the Jabra JX10 cara is passively waiting for a call. When you 'end' a call on your mobile phone, the headset goes into standby mode.

13 Certification and safety approvals

CE

This product is CE marked according to the provisions of the R & TTE Directive (99/5/EC). Hereby, GN Netcom, declares that this product is in compliance with the essential requirements and other relevant provisions of Directive 1999/5/EC. For further information please consult <http://www.jabra.com>. Within the EU this device is intended to be used in Austria, Belgium, Cyprus, Czech Republic, Denmark, Estonia, Finland, France, Germany, Greece, Hungary, Ireland, Italy, Latvia, Lithuania, Luxembourg, Malta, Poland, Portugal, Slovakia, Slovenia, Spain, Sweden, The Netherlands, United Kingdom, and within EFTA in Iceland, Norway and Switzerland

Bluetooth

The Bluetooth® word mark and logos are owned by the Bluetooth SIG, Inc. and any use of such marks by GN Netcom is under license. Other trademarks and trade names are those of their respective owners.

14 Glossary

- 1 Bluetooth** is a radio technology that connects devices, such as mobile phones and headsets, without wires or cords over a short distance (approx. 30 feet). Get more information at www.bluetooth.com.
- 2 Bluetooth profiles** are the different ways that Bluetooth devices communicate with other devices. Bluetooth phones support either the headset profile, the hands-free profile or both. In order to support a certain profile, a phone manufacturer must implement certain mandatory features within the phone's software.
- 3 Pairing** creates a unique and encrypted link between two Bluetooth devices and lets them communicate with each other. Bluetooth devices will not work if the devices have not been paired.



Dispose of the product according to local standards and regulations. www.jabra.com/weee

Русский

Благодарность.....	16
О модели Jabra JX10 cara	17
Что может аппарат	18
Начало работы	18
Зарядка гарнитуры	18
Включение и выключение гарнитуры	19
Спаривание с телефоном	19
Теперь гарнитуру можно одеть, как удобно	19
Как	20
Что обозначает светодиодный индикатор.....	21
Использование гарнитуры Jabra JX10 cara с 2 мобильными телефонами	21
Использование хаба Jabra Bluetooth.....	21
Поиск и устранение неисправностей/часто задаваемые	22
Дополнительная помощь	22
Уход за гарнитурой.....	23
Гарантия сервисного обслуживания.....	23
Глоссарий	25

Благодарность

Благодарим за приобретение беспроводной гарнитуры Jabra JX10 cara Bluetooth®. Надеемся, она Вам понравится!

Настоящее руководство позволит быстро освоить работу гарнитурой и наиболее полно использовать ее функциональные возможности.

ВНИМАНИЕ!

Технические характеристики наушников позволяют передавать звук высокой громкости и частоты. Это может сказаться на слухе, вплоть до долговременной его потери. Уровень громкости может изменяться в зависимости от таких условий, как тип используемого телефона, параметры приема и громкости, а также окружающая обстановка. Прочтите, пожалуйста, правила техники безопасности, приведенные ниже, перед использованием данных наушников.

Правила техники безопасности

1. Перед использованием продукции выполните следующее:

- перед использованием наушников установите регулятор громкости на минимум,
- наденьте наушники
- медленно отрегулируйте нужный уровень громкости.

2. Во время использования продукции придерживайтесь следующего:

- Пользуйтесь минимальным комфортным уровнем громкости и избегайте шумной обстановки, где приходится увеличивать громкость;
- при необходимости регулируйте уровень громкости постепенно;
- При ощущении дискомфорта или при звоне в ушах прекратите использовать наушники и немедленно обратитесь к врачу.

При использовании высокого уровня громкости уши привыкают к нему, что может сказаться на долговременном ухудшении слуха без существенного дискомфорта.

Использование гарнитуры в движущемся транспорте, включая мотоцикл, судно и велосипед, может стать источником опасности, а также использование в подобных условиях считается правонарушением в некоторых странах. Это можно выяснить, обратившись к местному законодательству. Будьте осторожны при использовании гарнитуры во время выполнения каких-либо действий, требующих полного внимания. При выполнении подобных действий снимите наушники и выключите гарнитуру, что поможет сконцентрироваться и избежать несчастных случаев или повреждений.

3. Хранить в месте, недоступном для детей:

Полиэтиленовые пакеты, в которые упакован продукт и его детали, не являются игрушками для детей. Сами пакеты и большое количество содержащихся в них мелких деталей могут в результате заглывания стать причиной удушья. Никогда не пытайтесь самостоятельно разобрать продукт. Выполняемые пользователем замена или ремонт внутренних деталей не допускаются.

Только официальные дилеры или сервисные центры могут открыть продукт. Если по какой-либо причине, включая нормальный износ или повреждение, требуется замена деталей продукта, обратитесь к своему дилеру.

Избегайте попадания продукта под дождь или его контакта с другими жидкостями.

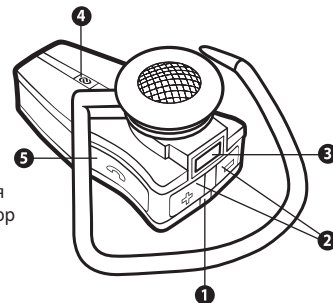
Утилизируйте продукт в соответствии с местными стандартами и нормативными требованиями. www.gnnetcom.com/weee

4. АСА Т5028 – возгорание в огнеопасной атмосфере

Не используйте гарнитуру в среде, в которой существует опасность воспламенения огнеопасных газов.

О модели Jabra JX10 cara

1. Светодиодный индикатор
 - Режимы, обозначаемые синим цветом (спаривание, рабочий или ждущий)
 - Красным обозначается уровень заряда аккумулятора (аккумулятор разряжен, заряжается или требует подзарядки)
2. Увеличение (+) и уменьшение громкости (-)
3. Зарядный отсек
4. Кнопка спаривания – **нажмите** для перевода гарнитуры в режим спаривания
5. Кнопка ответ/отбой
 - **Нажать** для включения гарнитуры (синий мигающий индикатор сообщит о включении)
 - **Нажать и удерживать** для включения гарнитуры (синий мигающий индикатор сообщит о включении)
 - **Кратковременно нажать** для ответа на звонок или отбоя



Что может аппарат

Jabra JX10 cara может все, что указано ниже (в зависимости от функций, поддерживаемых вашим телефоном):

- Отвечать на звонок
- Заканчивать разговор
- Не отвечать на звонки*
- Использовать голосовой набор*
- Повторять набор последнего номера*
- Ставить звонки «в очередь»*
- Переводить звонок в режим ожидания*

*Зависит от модели телефона

Технические характеристики

- До 6 часов работы в режиме разговора и до 200 часов в режиме ожидания
- Аккумулятор с возможностью подзарядки от источника питания переменного тока, персонального компьютера через кабель USB, зарядного устройства для рабочего стола или аккумулятора автомобиля (не включено)
- Менее 17 граммов
- Дальность действия до 10 метров)
- Режим Bluetooth для разговора по трубке и гарнитуре
- Характеристики Bluetooth (см. *глоссарий*) версии 1.2

Начало работы

Пользоваться Jabra JX10 cara очень просто. Кнопка ответ / отбой на гарнитуре выполняет различные функции в зависимости от продолжительности.

Действия	Длительность удержания:
Легкое нажатие	Быстро нажать
Двойное легкое нажатие	2 быстрых повторных легких нажатия
Нажать	Приблизительно 1 секунда
Нажать и удерживать	Приблизительно 2-3 секунды

1 Зарядка гарнитуры

Перед началом использования следует убедиться, что гарнитура JX10 CARA полностью заряжена. Для зарядки используется сеть — через адаптер переменного тока, компьютер — через входящий в комплект кабель USB, либо устройство зарядки от автомобильного прикуривателя — см. рис. 3. Подключите гарнитуру, как показано на рис. 2

Если светодиод горит красным цветом, гарнитура заряжается.
Если светодиод горит зеленым цветом, гарнитура полностью заряжена.

Зарядка от держателя на рабочем столе

Подключите кабель USB/адаптер переменного тока к держателю на рабочем столе. Поместите гарнитуру JX10 CARA в держатель на рабочем столе, как показано на рис. 3

Внимание. Срок службы батареи значительно сокращается, если устройство остается незаряженным в течение длительного периода времени. Поэтому рекомендуется перезаряжать устройство по меньшей мере раз в месяц.


2 Включение и выключение гарнитуры

- Для включения гарнитуры **нажмите** кнопку ответ / отбой.
- Для выключения гарнитуры **нажмите и удерживайте** кнопку ответ / отбой.

3 Спаривание с телефоном

Перед использованием Jabra JX10 cara его нужно спарить с вашим мобильником.

1. Переведите гарнитуру в режим спаривания

- Убедитесь, что гарнитура включена.
- **Нажмите** кнопку спаривания, обозначенную .

2. Переведите ваш Bluetooth-телефон в режим поиска Jabra JX10 cara

Следуйте инструкции по эксплуатации телефона. Обычно для этого нужно войти в меню 'настройка', 'подключение' или 'Bluetooth' телефона и выбрать пункт 'поиск' или 'добавить устройство Bluetooth'. * (См пример типичного меню мобильного на рис. 6)

3. Когда Jabra JX10 cara найдена

Телефон спросит, желаете ли вы спариться. Нажмите 'Yes' или 'OK' на телефоне и подтвердите паролем или PIN-кодом = 0000 (4 нуля).

Когда спаривание завершится, телефон сообщит об этом. Если спаривание не удалось, повторите пункты 1 - 3.

4 Теперь гарнитуру можно одеть, как удобно

Теперь Jabra JX10 cara можно надеть на правое ухо. Если вы носите ее на левом ухе, осторожно ухе отсоедините крепление и переверните его. **См. рис 4**

5 Как ...

Ответить на звонок

- **Коротко нажмите** кнопку ответ/отбой на гарнитуре.

Закончить разговор

- **Коротко нажмите** кнопку ответ/отбой на гарнитуре.

Позвонить

- Звонок с мобильного автоматически будет переведен на гарнитуру (в зависимости от установок мобильного). Если мобильник этого не позволяет, для перевода вызова на него коротко нажмите кнопку ответ/отбой на Jabra JX10 cara.

Не отвечать на звонок *

- Во время входящего звонка нажмите кнопку ответ / отбой. В зависимости от установок мобильного вызывающий абонент будет переведен на вашу голосовую почту или услышит сигнал «занято».

Включение голосового набора *

- Нажать на кнопку ответ/окончание разговора. Лучше всего записать тег голосового набора с помощью гарнитуры. Более подробную информацию об использовании данной функции можно узнать в руководстве пользователя телефона

Повторный набор последнего номера *

- Дважды слегка нажать на кнопку ответ/окончание разговора, когда гарнитура надета и не используется.

Регулировать громкость

- **Нажимайте кнопку регулятора громкости** (+ или -). См. рис 1.

Поставить вызов на удержание (при поступлении вызова во время телефонного разговора)*

Эта функция позволяет поставить вызов на удержание во время разговора и ответить на отложенный вызов.

- Для установки текущего вызова на удержание и ответа на другой вызов **нажмите** кнопку ответ /отбой.
- Для переключения между вызовами **нажмите** кнопку ответ /отбой.
- Для отбоя текущего вызова **коротко нажмите** кнопку ответ/отбой.

* Функции, обозначенные *, могут не поддерживаться вашим мобильником. Для получения дополнительной информации обратитесь к инструкции по эксплуатации мобильного

6 Что обозначает светодиодный индикатор

Показание	Состояние гарнитуры
Мигающий синий	Вспышка каждую секунду: режим разговора
Мигающий синий	Вспышка каждые три секунды: режим ожидания
Мигающий красный	Аккумулятор разряжен
Постоянно горящий красный	Зарядка аккумулятора
Постоянно горящий зеленый	Аккумулятор заряжен
Постоянно горящий синий	Гарнитура в режиме сопряжения – см. раздел 3

7 Использование гарнитуры Jabra JX10 cara с 2 мобильными телефонами

К гарнитуре Jabra JX10 cara можно подключать два мобильных телефона одновременно. Это дает возможность свободно пользоваться обоими имеющимися мобильными телефонами с помощью одной гарнитуры и осуществлять функции, описанные в разделе 6.

Необходимо только помнить, что функция «Повторный набор последнего номера» позволит набрать номер последнего исходящего вызова вне зависимости от того, с какого мобильного телефона он был сделан, а функция «голосовой набор» будет работать только на том мобильном телефоне, который был согласован последним.

8 Использование хаба Jabra Bluetooth

Гарнитуру Jabra JX10 cara можно использовать с хабом Jabra Bluetooth (продается отдельно). Это позволит использовать гарнитуру как с мобильным, так и со стационарным телефоном.

Порядок согласования гарнитуры Jabra JX10 cara с хабом Jabra Bluetooth

Процесс согласования несколько отличается:

- Перевести гарнитуру Jabra JX10 cara в режим согласования
- Перевести хаб Jabra Bluetooth в режим согласования.
- Положить их близко друг к другу. Для согласования двух изделий Jabra нет необходимости вводить специальный ПИН-код. Более подробную информацию о подключении хаба Bluetooth к стационарному телефону можно получить в руководство по эксплуатации хаба Jabra Bluetooth.

Порядок использования гарнитуры Jabra JX10 cara с хабом Jabra Bluetooth очень похож на порядок использования гарнитуры только с одним мобильным телефоном. Единственное отличие состоит в переводе вызова на гарнитуру со стационарного телефона.

Порядок перевода вызова на гарнитуру

- Для перевода вызова со стационарного телефона на гарнитуру через хаб Jabra Bluetooth следует слегка нажать на кнопку ответ/окончание разговора

Для ответа на вызов со стационарного телефона необходимо наличие устройства подъема трубки для того, чтобы гарнитура Jabra JX10 saga могла ответить на вызов автоматически.

9 Поиск и устранение неисправностей/часто задаваемые

вопросы В гарнитуре слышен треск

Для обеспечения наилучшего качества звука следует носить гарнитуру с той же стороны, что и мобильный телефон.

В гарнитуре ничего не слышно

- Увеличьте громкость.
- Убедитесь в том, что между гарнитурой и телефоном установлено соединение.
- Убедитесь в том, что телефон подключен к гарнитуре – если не удастся установить соединение ни из меню Bluetooth телефона, ни путем кратковременного нажатия кнопки ответа/завершения вызова, следуйте инструкциям по установке соединения (см. раздел 3).

Не удается установить соединение, хотя индикация на телефоне свидетельствует об обратном

Возможно, запись об установке соединения данной гарнитуры с телефоном была удалена. Следуйте указаниям по установке соединения, приведенным в разделе 3.

Будет ли гарнитура Jabra JX10 saga работать с другими устройствами, имеющими интерфейс Bluetooth?

Гарнитура Jabra JX10 saga предназначена для работы с мобильными телефонами, поддерживающими интерфейс Bluetooth. Она также может работать с другими устройствами Bluetooth, использующими Bluetooth версии 1.1 или 1.2, и поддерживает профили "Headset" и "Hands-free".

10 Дополнительная помощь

См. внутреннюю сторону обложки

11 Уход за гарнитурой

- Храните гарнитуру Jabra JX10 saga отключенной и в безопасном месте.
- Не подвергайте гарнитуру воздействию экстремальных температур (выше +45°C – включая прямые солнечные лучи – или ниже -10°C). Это может привести к сокращению срока службы аккумулятора и повлиять на работу гарнитуры. Высокая температура может также ухудшить характеристики гарнитуры.
- Не допускайте попадания на гарнитуру Jabra JX10 saga воды и других жидкостей.

12 Гарантия сервисного обслуживания

Ограниченная гарантия на 2 (два) года
Компания GN Netcom A/S, расположенная по адресу Metalbuen 66, DK-2750 Ballerup (в дальнейшем — «GN»), гарантирует, что в течение 2 (двух) лет с момента приобретения (в дальнейшем — «Гарантийный период») изделия в нем не будет выявлено производственного брака или дефектов материалов (согласно указанным ниже условиям). В течение Гарантийного периода компания GN обязуется отремонтировать или заменить (по усмотрению GN) это изделие или любые неисправные детали (в дальнейшем — «Гарантийное обслуживание»). Если ремонт или замена нецелесообразны по финансовым соображениям или не могут быть выполнены своевременно, компания GN может возместить стоимость, выплаченную за неисправное изделие. Ремонт или замена по условиям настоящей гарантии не продляют гарантийный период и не предполагают его повторного начала.

Претензии по гарантии

Для получения Гарантийного обслуживания обратитесь к дилеру компании GN, у которого приобрели данное изделие, или посетите веб-сайты www.gnnetcom.com либо www.jabra.com для получения дополнительных сведений о технической поддержке.
Вы должны вернуть это изделие дилеру либо отправить его дилеру или в компанию GN (если такое требование указано на веб-сайтах www.gnnetcom.com или www.jabra.com) в его оригинальной упаковке или упаковке с аналогичной степенью защиты.
Расходы на доставку изделия в компанию GN несет покупатель. Если изделие подлежит сервисному обслуживанию по гарантии, компания GN возмещает расходы на доставку по окончании обслуживания по настоящей гарантии. Расходы по обратной доставке изделия, не отвечающего условиям гарантии или не требующего гарантийного ремонта, несет покупатель.

Для получения Гарантийного обслуживания необходимо предоставить: (а) само изделие и (б) доказательство совершения покупки, в котором ясно указаны имя и адрес продавца, дата покупки и тип изделия, подтверждающие актуальность Гарантийного периода для этого изделия. Кроме того, указываются (в) обратный адрес покупателя. (г) номер телефона для звонков в дневное время и (д) причина возврата.

Компания GN/Jabra снижает загрязнение окружающей среды и поэтому включает в продукцию восстановленное оборудование с бывшими в употреблении компонентами, которые частично модернизируются. Все бывшие в употреблении компоненты отвечают высоким требованиям к качеству, производительности и надежности, предъявляемым к изделиям компании GN. Покупатель соглашается с тем, что замененные детали или компоненты принадлежат компании GN.

- Ограничение гарантии
- Настоящая гарантия распространяется только на первоначального покупателя и в случае продажи или передачи данного изделия третьему лицу автоматически аннулируется досрочно. Настоящая гарантия компании GN распространяется только на изделия, приобретенные для использования, но не для перепродажи. Она не распространяется на изделия со вскрытой упаковкой, которые продаются «как есть» без всякой гарантии.
- Гарантия не распространяется на расходные детали с ограниченным сроком службы, подверженные естественному износу, в частности ветровые щитки микрофонов, наушники, модульные штекеры, ушные вкладыши, декоративную отделку, батареи и прочие принадлежности.

Изменение или удаление заводской наклейки с серийным номером, ярлыка даты изготовления или идентификационного ярлыка аннулирует гарантию.

Настоящая гарантия не распространяется на косметические дефекты или повреждения в результате неправильного использования, злоупотребления, небрежности, природных катаклизмов, несчастных случаев, демонтажа или модификации любой части или всего изделия. Настоящая гарантия не распространяется на повреждения, вызванные некорректной эксплуатацией, обслуживанием, установкой или связанным с выполнением ремонта лицом, отличным от сотрудника компании GN или дилера GN, уполномоченным компанией GN на осуществление гарантийного обслуживания. Несанкционированный ремонт аннулирует настоящую гарантию.

СОГЛАСНО НАСТОЯЩЕЙ ГАРАНТИИ, ЕДИНСТВЕННЫМ СРЕДСТВОМ ЗАЩИТЫ ПРАВ ПОКУПАТЕЛЯ ЯВЛЯЮТСЯ РЕМОНТ ИЛИ ЗАМЕНА ИЗДЕЛИЯ. КОМПАНИЯ GN НЕ НЕСЕТ ОТВЕТСТВЕННОСТИ ЗА СЛУЧАЙНЫЙ ИЛИ КОСВЕННЫЙ УЩЕРБ, ВОЗНИКШИЙ ИЗ-ЗА НАРУШЕНИЯ ЯВНЫХ ИЛИ ПОДРАЗУМЕВАЕМЫХ УСЛОВИЙ ГАРАНТИИ НА ЭТО ИЗДЕЛИЕ. В РАЗРЕШЕННОМ ЗАКОНОДАТЕЛЬСТВОМ ОБЪЕМЕ НАСТОЯЩАЯ ГАРАНТИЯ ИСКЛЮЧАЕТ И ЗАМЕНЯЕТ ВСЕ ЯВНЫЕ И ПОДРАЗУМЕВАЕМЫЕ ГАРАНТИИ, В ТОМ ЧИСЛЕ ГАРАНТИЮ ТОВАРНОГО СОСТОЯНИЯ И ПРИГОДНОСТИ ДЛЯ КОНКРЕТНОЙ ЦЕЛИ.

ВНИМАНИЕ! Настоящая гарантия наделяет покупателя рядом юридических прав. В зависимости от места жительства покупателя он может иметь другие права. Законодательство некоторых юрисдикций не допускает исключения или ограничения ответственности за случайный или косвенный ущерб либо подразумеваемых гарантий, поэтому вышеуказанные исключения могут к вам не относиться. Настоящая гарантия не нарушает юридических (законных) прав покупателя, установленных существующим федеральным или муниципальным законодательством.

- 1 Bluetooth** – технология радиосвязи, предназначенная для беспроводного соединения различных устройств, например, мобильных телефонов и гарнитур, на небольшом расстоянии (приблизительно 10 м). Более подробные сведения см. на веб-сайте www.bluetooth.com.
- 2 Профили Bluetooth** – различные способы взаимодействия устройств Bluetooth с другими устройствами. Мобильные телефоны с интерфейсом Bluetooth поддерживают профиль “Headset” (Гарнитура) или “Hands-free” (Без использования рук) или оба эти профиля. Для поддержки определенного профиля изготовитель телефона должен обеспечить поддержку определенных функций в программном обеспечении телефона.
- 3 Установка соединения** создает уникальный зашифрованный канал связи между двумя устройствами Bluetooth, по которому эти устройства могут обмениваться данными. Если соединение не установлено, устройства Bluetooth не будут работать друг с другом.
- 4 Ключ доступа или PIN** – это код, вводимый на мобильном телефоне для установки соединения с гарнитурой Jabra JX10 cara. Этот код позволяет телефону и гарнитуре Jabra JX10 cara распознать друг друга и автоматически наладить взаимодействие.
- 5 Режим ожидания** – режим, в котором гарнитура Jabra JX10 cara пассивно ожидает поступления вызова. Гарнитура переходит в режим ожидания после завершения вызова на мобильном телефоне.



Утилизируйте продукт согласно местным стандартам и нормам. www.jabra.com/weee

Polski

Dziękujemy	28
Bezprzewodowa słuchawka nauszna Jabra JX10 cara	29
Funkcje słuchawki	30
Rozpoczynanie użytkowania słuchawki	30
Ładowanie zestawu słuchawkowego	31
Włączanie i wyłączanie słuchawki... ..	31
Działanie słuchawki z telefonem	31
Swoboda noszenia słuchawki	32
Jak... ..	32
Znaczenie poszczególnych sygnałów świetlnych	33
Korzystanie z zestawu Jabra JX10 cara z 2 telefonami komórkowymi	33
korzystanie z koncentratora bluetooth Jabra	34
Rozwiązywanie problemów i często zadawane pytania	34
W razie konieczności uzyskania dodatkowej pomocy	35
Pielęgnacja słuchawki	35
Informacje serwisowo-gwarancyjne	35
Certyfikacja i normy bezpieczeństwa	37
Słowniczek	37

Dziękujemy

Dziękujemy za zakup słuchawki Jabra JX10 cara z technologią Bluetooth®. Mamy nadzieję, że korzystanie z niej przyniesie wiele satysfakcji!

Niniejsza instrukcja umożliwi rozpoczęcie użytkowania słuchawki i optymalne wykorzystanie jej możliwości.

UWAGA!

Zestaw słuchawkowy może emitować dźwięki o dużej głośności i wysokim tonie. Słuchanie takich dźwięków może spowodować trwale uszkodzenie słuchu. Poziom głośności może się różnić w zależności od używanego telefonu, jego ustawień odbioru i głośności oraz otoczenia. Przed korzystaniem z zestawu słuchawkowego należy zapoznać się z poniższymi instrukcjami dotyczącymi bezpieczeństwa.

Instrukcje dotyczące bezpieczeństwa

1. Przed korzystaniem z produktu należy wykonać następujące kroki:

- przed założeniem na głowę słuchawek przekręcić pokrętło głośności w pozycję najniższą,
- założyć słuchawki, a następnie
- powoli dopasować głośność pokrętłem do odpowiedniego poziomu.

2. W czasie korzystania z produktu

- Utrzymywać głośność na najniższym możliwym poziomie i unikać korzystania z zestawu słuchawkowego w dużym hałasie, w którym może wystąpić odruch zwiększania głośności;
- Jeśli zwiększenie głośności jest konieczne, zwiększać ją pokrętłem powoli; oraz
- Jeśli wystąpi uczucie dyskomfortu lub dzwonienia w uszach, natychmiast zaprzestać korzystania ze słuchawek i skonsultować się z lekarzem.

Dalsze używanie zestawu słuchawkowego przy wysokim poziomie głośności może skutkować dostosowaniem się przez narząd słuchu do poziomu dźwięku, co może spowodować trwałe uszkodzenie słuchu bez odczuwalnego dyskomfortu.

Używanie zestawu słuchawkowego podczas kierowania pojazdem silnikowym, motocyklem, statkiem wodnym lub rowerem może być niebezpieczne i jest nielegalne w niektórych systemach prawnych. Należy zapoznać się z krajowymi przepisami prawa. Należy zachować ostrożność, jeśli podczas używania zestawu słuchawkowego wykonywana jest czynność wymagająca pełnej uwagi. Przy wykonywaniu takiej czynności usunięcie zestawu słuchawkowego z okolic uszu lub jego wyłączenie zapobiegnie dekoncentracji słuchającego i pozwoli uniknąć wypadku lub obrażeń.

3. Przechowywać w miejscu niedostępnym dla dzieci:

Plastikowe torby, w które zapakowany jest produkt i jego części, nie są zabawkami. Połknięcie torby lub części, które są w nią zapakowane, może spowodować zadławienie. W żadnym wypadku nie wolno samodzielnie rozmontowywać produktu. Żadna z jego części nie nadaje się do samodzielnej naprawy ani wymiany przez użytkownika.

Produkt mogą otwierać wyłącznie uprawnieni sprzedawcy lub pracownicy centrów serwisowych. Jeśli nastąpi konieczność wymiany jakiegokolwiek części produktu, również z powodu normalnego zużycia lub uszkodzenia, należy skontaktować się ze sprzedawcą.

Należy unikać wystawiania produktu na działanie deszczu lub płynów.

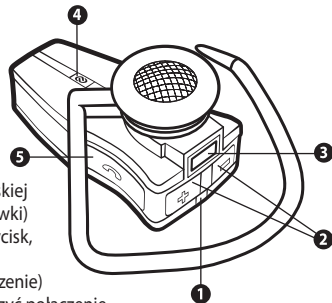
Produkt należy utylizować zgodnie z miejscowymi przepisami i normami.
www.gnnetcom.com/weee

4. ACA TS028 – Zapłon w otoczeniu łatwopalnym

Słuchawek nie wolno używać w miejscu, gdzie istnieje zagrożenie zapłonu łatwopalnych gazów.

Bezprzewodowa słuchawka nauszna Jabra JX10 cara

1. Diody LED
 - Niebieski kolor diody wskazuje tryb działania słuchawki (działanie z telefonem, aktywny lub czuwanie)
 - Czerwony/zielony kolor diody wskazuje poziom naładowania akumulatora (niski, ładowanie lub naładowany)
2. Głośniej (+), ciszej (-)
3. Gniazdo ładowania
4. Przycisk przełączania słuchawki na tryb działania z telefonem – należy **wcisnąć** przycisk, aby ustawić słuchawkę w trybie działania z telefonem.
5. Przycisk odbierania/kończenia połączenia
 - Należy **nacisnąć** ten przycisk, aby włączyć słuchawkę (zamigotanie niebieskiej lampki oznacza udane włączenie słuchawki)
 - Należy **nacisnąć i przytrzymać** ten przycisk, aby wyłączyć słuchawkę (zamigotanie niebieskiej lampki oznacza udane wyłączenie)
 - **Użyć** przycisku, aby odebrać lub zakończyć połączenie



Funkcje słuchawki

PL Słuchawka Jabra JX10 cara pozwala na korzystanie z wszystkich poniższych funkcji (w zależności od tego, czy telefon współpracujący ze słuchawką umożliwi korzystanie z danej funkcji):

- Odbieranie połączeń
- Kończenie połączeń
- Odrzucanie połączeń*
- Wybieranie głosowe*
- Ponowne wybieranie ostatniego numeru*
- Połączenie oczekujące*
- Przelączenie połączenia w stan oczekiwania*

* W zależności od danego telefonu

Specyfikacje

- Do 6 godzin rozmowy i do 200 godzin pracy w trybie gotowości
- Akumulator z możliwością ładowania przy użyciu źródła zasilania prądu przemiennego, komputera PC przez kabel USB, ładowarki biurkowej lub ładowarki samochodowej (ładowarka samochodowa nie jest dołączona)
- Waży mniej niż 17 g
- Zasięg działania do 10 metrów (około 33 stóp)
- Możliwość podłączenia słuchawek Bluetooth w trybie słuchawkowym i głośnomówiącym (Headset i Hands-Free)
- Specyfikacja Bluetooth (patrz *glosariusz*) wersja 1.2

Rozpoczynanie użytkowania słuchawki

Słuchawka Jabra JX10 cara jest łatwa w obsłudze. Przycisk odbierania/kończenia połączenia znajdujący się na słuchawce spełnia różne funkcje w zależności od tego jak długo jest przyciskany.

Instrukcja:	Czas naciśnięcia:
Stuknij	Naciśnij krótko
Dwukrotnie stuknięcie	2 szybkie stuknięcia, jedno po drugim
Naciśnij	Przez ok. 1 sekundę
Naciśnij i przytrzymaj	Ok. 2-3 sekundy

1 Ładowanie zestawu słuchawkowego

Przed użyciem zestawu słuchawkowego Jabra JX10 cara upewnij się, że jest w pełni naładowany. Do ładowania z gniazda sieciowego użyj zasilacza sieciowego, ładuj bezpośrednio z komputera PC za pomocą dostarczonego kabla USB lub użyj ładowarki samochodowej – patrz Rys. 3. Podłącz zestaw słuchawkowy w sposób przedstawiony na Rys. 2.

Gdy dioda LED świeci się stale na czerwono, oznacza to, że trwa ładowanie zestawu słuchawkowego. Gdy dioda LED zmieni kolor na zielony, oznacza to, że zestaw słuchawkowy został w pełni naładowany.

Ładowanie w ładowarce biurkowej

Podłącz kabel USB/kabel zasilający do ładowarki biurkowej. Umieść słuchawkę JX10 cara w ładowarce biurkowej w sposób przedstawiony na Rys. 3.

Uwaga: Żywotność baterii ulegnie znacznemu skróceniu, jeśli urządzenie nie będzie ładowane przez długi czas. Dlatego też zaleca się ładowanie baterii przynajmniej raz na miesiąc.


2 Włączanie i wyłączanie słuchawki

- Aby włączyć słuchawkę należy **nacisnąć** przycisk odbierania/kończenia połączenia.
- Aby wyłączyć słuchawkę należy **nacisnąć i przytrzymać** przycisk odbierania/kończenia połączenia.

3 Działanie słuchawki z telefonem

Przed rozpoczęciem użytkowania słuchawki Jabra JX10 cara, należy umożliwić jej współpracę z telefonem komórkowym.

1. Przelączyć słuchawkę na tryb działania z telefonem

- Upewnij się, że słuchawka jest włączona.
- Należy **nacisnąć** oznaczony przycisk przelączenia słuchawki na tryb działania z telefonem .

2. Ustawić telefon Bluetooth na funkcję 'discover' („wykryj”) słuchawkę Jabra JX10 cara

Należy stosować się do instrukcji ujętych w pomocy telefonu. Ustawienie to zazwyczaj polega na przejściu do menu 'setup' („ustawienia”), 'connect' („podłączyć”) lub „Bluetooth” w telefonie i wybraniu opcji 'discover' („wykryj”) lub 'add' („dodaj”) urządzenie Bluetooth. * (Patrz przykład dotyczący typowego telefonu komórkowego przedstawiony na rysunku 6).

3. Telefon wykryje wtedy słuchawkę Jabra JX10 cara

Następnie telefon zapyta, czy rozpocząć współpracę słuchawki z telefonem. Należy zatwierdzić, wciskając przycisk „Tak” lub „OK” w telefonie oraz potwierdzić wpisując **hasło lub numer PIN = 0000 (4 zera)**.

Telefon potwierdzi zakończenie ustawiania na tryb współpracy ze słuchawką. W przypadku nieudanego ustawiania na współpracę ze słuchawką, należy powtórzyć kroki od 1 do 3.

4 Swoboda noszenia słuchawki

Słuchawka Jabra JX10 cara gotowa jest do noszenia na prawym uchu. Jeżeli wolisz nosić słuchawkę na lewym uchu, należy delikatnie zdjąć zaczep na ucho i obrócić go, aby dopasować słuchawkę do noszenia na lewym uchu. **Patrz rysunek 4**

5 Jak...

Odebrać połączenie

- W celu odebrania połączenia, należy **użyć** przycisku odbierania/kończenia połączenia, który znajduje się na słuchawce.

Zakończyć połączenie

- W celu zakończenia aktywnego połączenia, należy **użyć** przycisku odbierania/kończenia połączenia.

Wykonać połączenie

- Kiedy połączenie wykonywane jest z telefonu komórkowego, wtedy połączenie zostanie (w zależności od ustawień telefonu) automatycznie przeniesione na słuchawkę. Jeżeli telefon nie posiada tej funkcji, należy użyć przycisku odbierania/kończenia połączenia, który znajduje się na słuchawce Jabra JX10 cara, aby połączenie zostało przeniesione na słuchawkę.

Odrzucić połączenie*

- Kiedy telefon dzwoni, należy **wcisnąć** przycisk odbierania/kończenia połączenia aby odrzucić połączenie przychodzące. W zależności od ustawień telefonu, osoba, która zadzwoniła do Ciebie zostanie odesłana do Twojej poczty głosowej lub usłyszysz sygnał zajętości.

Aby aktywować wybieranie głosowe*

- Naciśnij przycisk odbierania/kończenia połączenia. Dla optymalnych rezultatów, nagraj komendę wybierania głosowego przy użyciu zestawu słuchawkowego. Więcej informacji dotyczących tej funkcji zawiera instrukcja obsługi telefonu.

Aby ponownie wybrać ostatni numer*

- Stuknij dwukrotnie przycisk odbierania/kończenia przy włączonych i niewykorzystywanych słuchawkach.

Ustawić dźwięk i głośność

- Aby ustawić głośność należy **nacisnąć** przycisk głośniejsze lub ciszej (+ lub -). **Patrz rysunek 1.**

Ustawić połączenie oczekujące i przełączyć połączenie w stan oczekiwania*

Funkcja ta pozwala na przełączanie połączenia w stan oczekiwania w trakcie rozmowy oraz na odbieranie połączenia oczekującego.

- Należy **nacisnąć** jeden raz przycisk odbierania/kończenia połączenia, aby przełączyć aktywne połączenie w stan oczekiwania oraz aby odebrać połączenie oczekujące.
- Aby przełączać się pomiędzy dwoma połączeniami, należy **nacisnąć** na przycisk odbierania/kończenia połączenia.
- W celu zakończenia aktywnej rozmowy, należy **użyć** przycisku odbierania/kończenia połączenia.

* Funkcje oznaczone znakiem * są zależne od telefonu. Dodatkowe informacje można znaleźć w podręczniku użytkownika telefonu.

6 Znaczenie poszczególnych sygnałów świetlnych

Rodzaj sygnalizacji	Znaczenie w kontekście słuchawki
Migające niebieskie światło	Raz na sekundę: aktywne połączenie
Migające niebieskie światło	Raz na trzy sekundy: tryb gotowości
Migające czerwone światło	Słaby akumulator
Ciągłe czerwone światło	Ładowanie
Ciągłe zielone światło	W pełni naładowany
Ciągłe niebieskie światło	W trybie kojarzenia - zob. punkt 3

7 Korzystanie z zestawu Jabra JX10 cara z 2 telefonami komórkowymi

Zestaw Jabra JX10 cara umożliwi podłączenie do słuchawek dwóch telefonów komórkowych naraz. Umożliwi to obsługę obu telefonów przy pomocy pojedynczego zestawu słuchawek, używając do tego wszystkich funkcji zestawu opisanych w części 6.

Należy jednak pamiętać, że funkcja wybierania ostatniego numeru wybierze numer ostatniego połączenia wychodzącego, bez względu na to, z którego telefonu wykonano połączenie, a funkcja wybierania głosowego będzie działała na ostatnim podłączonym telefonie.

8 Korzystanie z koncentratora bluetooth Jabra

Zestawu Jabra JX10 cara można używać wraz z koncentratorem bluetooth Jabra (sprzedawanym oddzielnie). Umożliwi to korzystanie ze słuchawek zarówno w przypadku telefonu komórkowego, jak i telefonu biurowego.

Aby połączyć zestaw Jabra JX10 cara z koncentratorem bluetooth Jabra

Proces łączenia jest nieco inny niż w przypadku łączenia z telefonem:

- Przełącz zestaw Jabra JX10 cara w tryb łączenia
- Przełącz koncentrator bluetooth Jabra w tryb łączenia.
- Umieść urządzenia blisko siebie. Do połączenia urządzeń nie jest potrzebny dedykowany kod pin. Skonsultuj się z podręcznikiem użytkownika koncentratora bluetooth Jabra w celu uzyskania instrukcji łączenia koncentratora z telefonem biurowym.

Korzystanie z zestawu Jabra JX10 cara połączonego z koncentratorem bluetooth Jabra jest bardzo podobne do korzystania z zestawu w połączeniu z samym telefonem. Różni się jedynie sposób przekazywania połączeń do słuchawek z telefonu biurowego.

Przekazywanie połączenia do słuchawek

- Stuknij przycisk odbierania/kończenia, aby przekazać połączenie z telefonu biurowego do słuchawek przez koncentrator bluetooth Jabra.

Odebranie telefonu biurowego wymaga automatycznego urządzenia do odbierania telefonu, jeśli ma być możliwe automatyczne odbieranie rozmów przy pomocy zestawu Jabra JX10 cara.

9 Rozwiązywanie problemów i często zadawane pytania

Słyszeć trzaski

Aby zapewnić optymalną jakość dźwięku, zawsze noś słuchawkę po tej samej stronie ciała, co telefon komórkowy.

Nic nie słycać w słuchawce

- Zwiększ głośność.
- Upewnij się, że słuchawka jest skojarzona z telefonem.
- Upewnij się, że telefon jest podłączony do słuchawki — jeśli nie jest możliwe nawiązanie połączenia z menu Bluetooth telefonu ani poprzez dotknięcie przycisku Odbierz/Zakończ, wykonaj procedurę kojarzenia (zob. punkt 3).

Mam problemy ze skojarzeniem słuchawki i telefonu, mimo że telefon nie zgłasza błędów

Być może w telefonie usunięte zostało połączenie z słuchawką. Wykonaj procedurę kojarzenia opisaną w punkcie 3.

Czy słuchawka Jabra JX10 cara będzie współpracować z innymi urządzeniami Bluetooth?

Słuchawka Jabra JX10 cara jest przystosowana do pracy z telefonami komórkowymi Bluetooth. Może także współpracować z innymi urządzeniami Bluetooth zgodnymi ze standardem Bluetooth w wersji 1.1 lub 1.2 i obsługującymi profil słuchawki i/lub zestawu głośnomówiącego.

Nie mogę korzystać z funkcji odrzucania połączenia, zawieszania połączenia, powtarzania numeru lub wybierania głosowego

Dostępność tych funkcji zależy od tego, czy telefon je obsługuje. Dodatkowe informacje można znaleźć w instrukcji obsługi telefonu

10 W razie konieczności uzyskania dodatkowej pomocy.

Prosimy zapoznać się ze szczegółami podanymi na wewnętrznej stronie okładki.

11 Pielęgnacja słuchawki

- Na czas przechowywania słuchawki Jabra JX10 cara należy wyłączyć jej zasilanie i starannie ją zabezpieczyć.
- Należy unikać przechowywania w skrajnych temperaturach (powyżej 45°C – także w bezpośrednim nasłonecznieniu – lub poniżej -10°C). Może to skrócić żywotność akumulatora i wpłynąć na działanie słuchawki. Wysokie temperatury mogą także spowodować pogorszenie jakości działania.
- Nie należy narażać słuchawki Jabra JX10 cara na kontakt z deszczem lub innymi cieczami.

12 Informacje serwisowo-gwarancyjne

Ograniczona dwuletnia (2) gwarancja

Firma GN Netcom A/S, z siedzibą pod adresem Metalbuen 66, DK-2750 Ballerup („GN”) gwarantuje, że niniejszy produkt będzie wolny od wad materiałowych i wad wykonania (z zastrzeżeniem poniższych postanowień) przez okres dwóch (2) lat od daty zakupu („okres gwarancyjny”). W okresie gwarancyjnym GN dokona naprawy lub wymiany (według własnego uznania) produktu lub jego wadliwych części („usługa gwarancyjna”). Jeżeli naprawa lub wymiana produktu nie jest możliwa ze względów handlowych lub nie może zostać dokonana w terminie, GN może zwrócić kupującemu kwotę zapłaconą za odnośny produkt. Naprawa lub wymiana dokonana na podstawie niniejszej gwarancji nie powoduje przedłużenia okresu gwarancyjnego ani ponownego rozpoczęcia jego biegu.

Roszczenia z tytułu gwarancji

W celu skorzystania z usługi gwarancyjnej należy skontaktować się ze sprzedawcą firmy GN, od którego został zakupiony produkt, bądź odwiedzić stronę www.gnnetcom.com lub www.jabra.com, aby uzyskać dalsze informacje dotyczące obsługi klienta.

Kupujący ma obowiązek zwrócić produkt do sprzedawcy bądź wysłać go do sprzedawcy lub GN (jeśli instrukcja na stronie www.gnnetcom.com lub www.jabra.com tak stanowi) w oryginalnym opakowaniu lub opakowaniu gwarantującym podobny poziom bezpieczeństwa.

Koszty wysyłki produktu do GN ponosi kupujący. Jeśli produkt jest objęty gwarancją, GN ponosi koszty odesłania produktu do kupującego po realizacji usługi na podstawie niniejszej gwarancji. Kupujący zostanie obciążony kosztami odesłania produktu nieobjętego gwarancją lub niewymagającego naprawy gwarancyjnej. Aby skorzystać z usługi gwarancyjnej, kupujący musi przedstawić co następuje: a) produkt i b) dowód zakupu wyraźnie wskazujący nazwisko i adres sprzedawcy, datę zakupu i typ produktu, potwierdzający, że produkt objęty jest okresem gwarancyjnym. Należy również podać c) adres zwrotny, d) numer telefonu kontaktowego i e) powód zwrotu.

Kupujący przyjmuje do wiadomości, że z uwagi na działania GN/Jabra zmierzające do redukcji zanieczyszczeń środowiska naturalnego produkt może zawierać części odzyskane, zawierające elementy używane, z których niektóre mogły zostać poddane ponownej obróbce. Używane składniki produktu spełniają wysokie standardy jakości GN/Jabra i są zgodne ze specyfikacjami wydajności i niezawodności produktu GN. Kupujący przyjmuje do wiadomości, że zastąpione części lub elementy stają się własnością GN.

Ograniczenie gwarancji

Niniejsza gwarancja jest ważna tylko w stosunku do pierwszego nabywcy i staje się automatycznie nieważna przed upływem okresu gwarancji, jeśli produkt zostanie sprzedany lub w inny sposób przekazany innej osobie. Gwarancja udzielana przez GN w niniejszym oświadczeniu dotyczy tylko produktów kupowanych w celu użycia, a nie odsprzedaży. Gwarancja nie dotyczy produktów zakupionych w otwartym opakowaniu, za które GN nie ponosi żadnej odpowiedzialności.

W szczególności nie udziela się gwarancji na ulegające zużyciu elementy o ograniczonej żywotności, takie jak osłony mikrofonów, gąbki na słuchawki, wtyczki modułowe, wkładki douszne, dekoracyjne wykończenia, baterie i inne akcesoria.

Niniejsza gwarancja jest nieważna w przypadku zmiany lub usunięcia z produktu fabrycznego numeru seryjnego, etykiety z kodem daty lub etykiety produktu.

Niniejsza gwarancja nie obejmuje uszkodzeń kosmetycznych lub uszkodzeń powstałych wskutek niewłaściwego lub nieprawidłowego użycia, zaniedbania, działania siły wyższej, wypadku, demontażu lub modyfikacji całości lub części produktu. Niniejsza gwarancja nie obejmuje uszkodzeń spowodowanych niewłaściwą eksploatacją, konserwacją lub instalacją produktu bądź próbą naprawy produktu przez osobę inną niż pracownik GN lub sprzedawca GN upoważniony do dokonywania napraw gwarancyjnych. Naprawa produktu przez osobę nieupoważnioną powoduje unieważnienie gwarancji.

NAPRAWA LUB WYMIANA PRODUKTU NA PODSTAWIE NINIEJSZEJ GWARANCJI JEST WYŁĄCZNYM ŚRODKIEM NAPRAWCZYM PRZYSŁUGUJĄCYM KONSUMENTOWI. GN NIE PONOSI ODPOWIEDZIALNOŚCI ZA JAKIEKOLWIEK SZKODY PRZYPADKOWE LUB NASTĘPCZE WYNIKAJĄCEJ Z NARUSZENIA DOWOLNEJ WYRAŹNEJ LUB DOROZUMIANEJ GWARANCJI DOTYCZĄCEJ PRODUKTU. W ZAKRESIE DOZWOLONYM PRZEZ PRAWO NINIEJSZA GWARANCJA JEST WYŁĄCZNA I ZASTĘPUJE WSZYSTKIE INNE GWARANCJE WYRAŹNE I DOROZUMIANE, W TYM MIĘDZY INNYMI GWARANCJĘ PRZYDATNOŚCI HANDLOWEJ I PRZYDATNOŚCI DO OKREŚLONEGO CELU.

UWAGA! Niniejsza gwarancja zapewnia kupującemu określone uprawnienia. Kupującemu mogą przysługiwać inne uprawnienia, różniące się w zależności od kraju. W niektórych systemach prawnych wyłączenie lub ograniczenie odpowiedzialności za szkody przypadkowe lub następce bądź odpowiedzialności z tytułu gwarancji dorozumianych jest niedozwolone, zatem powyższe ograniczenia mogą nie mieć zastosowania do kupującego. Niniejsza gwarancja nie narusza uprawnień ustawowych kupującego wynikających z odpowiednich przepisów prawa krajowego lub lokalnego.

13 Certyfikacja i normy bezpieczeństwa

CE

Ten produkt jest oznakowany symbolem CE, zgodnie z postanowieniami dyrektywy w sprawie urządzeń radiowych i końcowych urządzeń telekomunikacyjnych oraz wzajemnego uznawania ich zgodności (dyrektywa 1999/5/WE). Niniejszym firma GN Netcom deklaruje, że produkt ten jest zgodny z istotnymi wymogami i innymi odpowiednimi postanowieniami dyrektywy 1999/5/WE. Dalsze informacje można uzyskać na stronie <http://www.jabra.com>. Na obszarze Unii Europejskiej urządzenie to jest przeznaczony do użytku w Austrii, Belgii, na Cyprze, w Republice Czeskiej, Danii, Estonii, Finlandii, Francji, Niemczech, Grecji, na Węgrzech, w Irlandii, we Włoszech, na Łotwie, Litwie, w Luksemburgu, na Malcie, w Polsce, Portugalii, Słowacji, Słowenii, Hiszpanii, Szwecji, Holandii i Wielkiej Brytanii, zaś spośród krajów EFTA w Islandii, Norwegii i Szwajcarii.

Bluetooth

Znak słowny Bluetooth® oraz logo są własnością firmy Bluetooth SIG, Inc. i wszelkie ich zastosowanie przez firmę GN Netcom jest objęte licencją. Inne znaki i nazwy handlowe stanowią własność odpowiednich firm.

14 Słowniczek

- Bluetooth** to technologia radiowa bezprzewodowej komunikacji między urządzeniami, np. telefonami komórkowymi i słuchawkami, na niewielkie odległości (ok. 10 metrów). Więcej informacji można uzyskać pod adresem www.bluetooth.com.
- Profile Bluetooth** to różne sposoby komunikacji między urządzeniami Bluetooth. Telefony Bluetooth obsługują albo profil słuchawek, albo profil zestawu głośnomówiącego, albo oba. Aby dany profil był obsługiwany, producent telefonu musi zaimplementować w jego oprogramowaniu pewne niezbędne funkcje.
- Kojarzenie** polega na utworzeniu unikatowego, szyfrowego łącza między dwoma urządzeniami Bluetooth w celu umożliwienia komunikacji między nimi. Urządzenia Bluetooth nie będą współpracować, dopóki nie zostaną skojarzone.
- Kod dostępu lub PIN** to kod wprowadzany w telefonie komórkowym w celu skojarzenia go z telefonem Jabra JX10 cara. Umożliwia to wzajemne rozpoznanie telefonu i słuchawki Jabra JX10 cara oraz ich automatyczną współpracę.
- Tryb gotowości** to stan, w którym słuchawka Jabra JX10 cara biernie oczekuje na połączenie. Po zakończeniu połączenia w telefonie komórkowym słuchawka przechodzi w tryb gotowości.



Urządzenia nie nadającego się do użytku należy się pozbyć przestrzegając lokalnie obowiązujących przepisów. www.jabra.com/weee

Türkçe

Teşekkür ederiz.....	40
Jabra JX10 cara'unuz hakkında.....	41
Kulaklığınızın işlevleri.....	42
BAŞLANGIÇ	42
Kulaklığınızı şarj etme	42
Kulaklığı açma ve kapatma.....	43
Telefonla eşleştirme	43
İstedığınız gibi takın	43
Nasılı yapılır.....	44
Işıkların anlamı	45
Jabra JX10 cara'yi 2 cep telefonuyla kullanırken.....	45
Jabra Bluetooth Hub'ı kullanma	45
Sorun Giderimi & FAQ (En Sık Sorulan Sorular)	46
Daha fazla yardıma mı ihtiyacınız var?	46
Kulaklığınızın bakımı.....	46
Servis ve Garanti Bilgileri.....	47
Sözlük	49

Teşekkür ederiz

Jabra JX10 cara Bluetooth® Kulaklığı satın almış olduğunuz için teşekkür ederiz. Umarız tadını çıkarırsınız!

Bu kullanıcı kılavuzu, kulaklığınızın kullanımı ile ilgili size yardımcı olacaktır.

UYARI!

Kulaklıklar yüksek seviyelerde ve yüksek tonlarda sesler verebilecek kapasitededirler. Bu tür seslere maruz kalmak, kalıcı işitme sistemi hasarına neden olabilir. Ses seviyesi, kullandığınız telefona, alım gücü ve ses seviyesi ayarlarına ve ortama bağlı olarak değişebilir. Lütfen bu kulaklıkları kullanmadan önce aşağıdaki güvenlik kurallarını okuyun.

Güvenlik kuralları

1. Bu ürünü kullanmadan önce aşağıdaki işlemleri uygulayın:

- kulaklığı takmadan önce ses kontrolünü en düşük seviyeye getirin,
- kulaklığı takın ve
- ses kontrolünü istediğiniz seviyeye kadar ayarlayın.

2. Bu ürünün kullanılması sırasında

- Ses seviyesini mümkün olan en düşük seviyede tutun ve kulaklığı, ses seviyesini yükseltmek isteyebileceğiniz gürültülü ortamlarda kullanmaktan kaçının;
- Ses seviyesinin yükseltilmesi gerekiyorsa ses kontrolünü yavaş yavaş artırın; ve
- Kulaklıklarınızda herhangi bir rahatsızlık ya da çınlama olursa, hemen kulaklığı kullanmayı bırakın ve bir doktorla görüşün.

Kulaklık sürekli yüksek seste kullanıldığında, kulaklarınız ses seviyesine alışabilir ve herhangi bir belirlenmiş rahatsızlık vermeden işitmenizde kalıcı hasarlar meydana gelebilir.

Bir motorlu araç, motosiklet, su aracı ya da bisiklet sürerken kulaklık kullanımı tehlikeli olabilir ve bazı bölgelerin yasalarına göre yasadışıdır. Bölgenizdeki yasaları kontrol edin. Tam dikkat gerektiren bir etkinlik sırasında kulaklıkları kullanırken dikkatli olun. Bu tür etkinlikler sırasında kulaklığı çıkartmak ya da kapatmak, dikkatinizin dağılmasını ve olası kazaları veya yaralanmaları önleyecektir.

3. Çocukların ulaşabileceği yerlerden uzak tutun

Ürünün ve parçalarının sarılı olduğu plastik torba, çocuklar için bir oyuncak değildir. Torbaların kendisi ya da içerdikleri bir çok küçük parça yutulduğunda boğulmaya neden olabilir. Asla ürünü kendi başınıza sökmeye çalışmayın. Ürünün içindeki parçaların hiçbiri değiştirilemez ya da kullanıcılar tarafından onarılamaz.

Yalnızca yetkili bayiler ya da servis merkezleri ürünü açabilir. Ürününüzün parçalarının, normal aşınma, yıpranma ya da kırılma dahil olmak üzere herhangi bir nedenden dolayı değiştirilmesi gerekiyorsa, bayinizle görüşün.

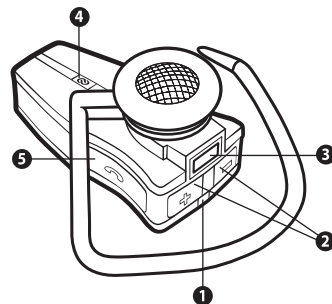
Ürünü yağmura ya da diğer sıvılara maruz bırakmayın.

Ürünü, yerel standartlar ve yönetmeliklere göre atın.
www.gnnetcom.com/weee

4. ACA TS028 – Yanıcı ortamların tutuşması
Yanıcı gazların tutuşma tehlikesi bulunan ortamlarda Kulaklığı kullanmayın.

Jabra JX10 cara'unuz hakkında

1. LED ışığı
 - Mavi, modu gösterir (eşleştirme, etkin ya da bekleme)
 - Kırmızı/yeşil, pil seviyesini gösterir (düşük, şarj oluyor ya da şarjlı)
2. Ses açma (+), ses kısma (-)
3. Şarj yuvası
4. Eşleştirme düğmesi - kulaklığı eşleştirme moduna geçirmek için **basın**
5. Cevaplama/kapatma düğmesi
 - Kulaklığı açmak için **basın** (kısa bir mavi ışık, işlemin başarılı olduğunu gösterir)
 - Kulaklığı kapatmak için **basın ve basılı tutun** (kısa bir mavi ışık, işlemin başarılı olduğunu gösterir)
 - Aramayı cevaplamak ya da kapatmak için **kısaca dokunun**



Kulaklığınızın işlevleri

Jabra JX10 cara'unuz, aşağıda belirtilenleri yapmanıza izin verir (Telefonunuzun belirtilen işlevi desteklemesi koşuluyla):

- Çağrı cevaplama
- Çağrı kapatma
- Çağrı reddetme*
- Sesle arama*
- Son numaranın tekrar çevrilmesi*
- Çağrı bekleme*
- Çağrıyı beklemeye alma*

*** Telefona bağlıdır**

Teknik Özellikler

- 6 saate kadar konuşma ve 200 saate kadar bekleme süresi
- AC güç kaynağından, USB kablo üzerinden bilgisayardan, masaüstü ya da araç şarj cihazından (ürünle birlikte verilmez) şarj seçeneği şarj edilebilir pil
- 17 gramdan hafif
- 10 metreye (33 ayak) varan çalışma menzili
- Kulaklık ve ahizesiz (hands-free) Bluetooth profilleri
- Bluetooth teknik şartname sürüm 1.2 (**sözlük'e** bakın)

BAŞLANGIÇ

Jabra JX10 cara kolay kullanımlıdır. Kulaklık üzerindeki cevaplama/kapatma düğmesi, ne kadar süreyle bastığınıza bağlı olarak çeşitli işlevleri yerine getirmektedir.

Talimatlar	Basma süresi:
Dokunun	Kısa bir süre için basın
Çift Dokunun	Ardarda iki kez dokunun
Basın	Yaklaşık 1 saniye
Basın ve Basılı Tutun	Yaklaşık 2-3 saniye

1 Kulaklığınızı şarj etme

Kullanmaya başlamadan önce Jabra JX10 cara kulaklığınızın tam olarak şarj olduğundan emin olun. Elektrik prizinden şarj etmek için AC adaptörünü kullanın ya da verilen USB kablo ile doğrudan bilgisayarınızdan şarj edin – bkz. 3. Kulaklığınızı 2. şekilde gösterildiği gibi bağlayın. LED sürekli kırmızı yandığında kulaklığınız şarj ediyordur. LED yeşil olduğunda, kulaklık tamamen şarj olmuştur.

Masaüstü tutucunuzda şarj etme

USB kablonuzu/AC güç adaptörünü, masaüstü tutucusuna takın. JX10 cara'u, 3. şekilde gösterildiği gibi yuvasına yerleştirin.

Lütfen unutmayın: Cihazınızı uzun süre şarjsız halde bırakırsanız, pilin kullanım ömrü önemli ölçüde azalacaktır. Bu nedenle ayda en az bir kez cihazınızı şarj etmenizi öneriyoruz.


2 Kulaklığı açma ve kapatma

- Kulaklığınızı açmak için cevaplama/kapatma düğmesine **basın**.
- Kulaklığınızı kapatmak için cevaplama/kapatma düğmesine **basın ve basılı tutun**.

3 Telefonla eşleştirme

Jabra JX10 cara'unuzu kullanmadan önce cep telefonunuzla eşleştirmeniz gerekmektedir.

1. Telefonu eşleştirme moduna getirin

- Telefonun açık olduğundan emin olun.
-  işaretli eşleştirme düğmesine **basın**.

2. Bluetooth özellikli telefonunuzu, Jabra JX10 cara' u 'bulacak' şekilde ayarlayın

Telefonunuzun için verilen talimatları uygulayın. Genellikle **telefonda** 'setup' (ayarlar), 'connect' (bağlan) ya da 'Bluetooth' menüsüne girerek ve 'discover' (bul) ya da 'add' (ekle) komutlarıyla Bluetooth cihazının algılanmasını seçerek yapılmaktadır.

*** (6. şekilde tipik bir cep telefonu için verilen örneğe bakın).**

3. Telefonunuz Jabra JX10 cara' u bulacaktır

Daha sonra telefonunuz eşleştirme yapmak isteyip istemediğinizi soracaktır. Telefonda 'Yes' (Evet) ya da 'OK'e (tamam) basarak kabul edin ve **passkey (parola) ya da PIN = 0000 (4 sıfır)** ile onaylayın.

Telefonunuz, eşleştirmenin tamamlandığını onaylayacaktır. Eşleştirme yapılmadığında, 1-3 arası adımları tekrarlayın.

4 İsteddiğiniz gibi takın

Jabra JX10 cara, sağ kulağa takılmak için hazır halde gelmektedir. Sol kulağa takmak isterseniz kulak kancasını yavaşça çıkartın ve sol kulağa oturacak şekilde döndürün.

4. şekilde bakın.

5 Nasılı yapılır...

Çağrı yanıtlama

- Bir çağrıyı cevaplamak için cevaplama/kapatma düğmesine **dokunun**.

Aramayı kapatma

- Etkin aramayı kapatmak için cevaplama/kapatma düğmesine **basın**.

Arama yapma

- Mobil telefonunuzda bir arama yaptığınızda, arama otomatik olarak kulaklığınıza aktarılır (telefon ayarlarına bağlı olarak). Telefonunuz bu işlevi desteklemiyorsa, aramayı kulaklığa almak için Jabra JX10 cara'ın cevaplama/kapatma düğmesine dokununuz.

Çağrıyı reddetme*

- Gelen bir çağrıyı reddetmek için telefon çaldığında cevaplama/kapatma düğmesine basın. Telefonunuzun ayarlarına bağlı olarak aradığınız kişi telesekretere yönlendirilecek ya da meşgul sinyali duyacaktır.

Sesli aramayı etkinleştirme*

- Cevaplama/bitirme düğmesine basın. Sesli arama etiketini kulaklığınız yoluyla kaydederseniz, daha iyi sonuç alırsınız. Bu özellikle ilgili daha fazla bilgi için lütfen telefonunuzun kullanma kılavuzuna bakın.

Son numaranın yeniden çevrilmesi*

- Kulaklık açık ve kullanılmıyorken, cevaplama/bitirme düğmesine çift dokununuz.

Sesi ve ses seviyesini ayarlama

- Ses seviyesini ayarlamak için ses açma ya da kısma (+ ya da -) düğmesine **basın**.
1. şekle bakın.

Çağrı bekletme ve bir çağrıyı beklemeye alma*

Bu işlev, bir görüşme sırasında çağrıyı bekleme alma ve bekleyen bir çağrıyı cevaplamanızı sağlar.

- Etkin çağrıyı bekleme almak ve bekleyen çağrıyı cevaplamak için cevap/kapatma düğmesine basın.
- İki çağrı arasında geçiş yapmak cevaplama/kapatma düğmesine **basın**.
- Etkin görüşmeyi kapatmak için cevaplama/kapatma düğmesine **dokununuz**.

* ile işaretli işlevler, telefonunuzun bu işlevleri desteklemesine bağlıdır.
Daha fazla bilgi için telefonunuzun kullanma kılavuzuna bakın.

6 İşıkların anlamı

Gördüğünüz	Kulaklığınızda şu anlama gelir
Yanıp sönen mavi	Her saniye yanıp sönüyor: bir aramada aktif
Yanıp sönen mavi	Her üç saniyede yanıp sönüyor: bekleme modunda
Yanıp sönen kırmızı	Bataryanın şarjı az
Tam kırmızı	Şarj ediliyor
Tam yeşil	Tam olarak şarjlı
Tam mavi	Eşleme modunda – bkz kısım 3

7 Jabra JX10 cara'yi 2 cep telefonu kullanırken

Jabra JX10 cara 'ye aynı anda iki cep telefonu bağlanabilmektedir. Bu sayede yalnızca kulaklığı kullanarak hem cep telefonunuzu kullanabilir, hem de 6. bölümde açıklanan kulaklık işlevlerinden faydalanabilirsiniz.

Burada unutulmaması gereken şey şudur: Son Numaranın Yeniden Çevrilmesi işlevinde, son yapılan aramadaki numara cep telefonundan bağımsız olarak çevrilir ve Sesli Arama işlevi, yalnızca son eşleştirilen cep telefonunda kullanılabilir.

8 Jabra Bluetooth Hub'ı kullanma

Jabra JX10 cara, Jabra Bluetooth Hub'yla (ayrıca satılır) birlikte kullanılabilir. Bu sayede kulaklığınızı cep ve ofis telefonunuzla birlikte kullanabilirsiniz.

Jabra JX10 cara 'yi Jabra Bluetooth Hub'ı ile eşleştirme

Eşleştirme işlemi biraz daha farklıdır:

- Jabra JX10 cara 'nizi eşleştirme moduna getirin.
- Jabra Bluetooth Göbeği'ni eşleştirme moduna getirin.
- Aygıtları birbirine yaklaştırın. İki Jabra ürününü eşleştirmek için özel bir PIN koduna gereksinim yoktur. Bluetooth hub'ının ofis telefonuna nasıl bağlanacağıyla ilgili daha fazla bilgi için Jabra Bluetooth Hub'ı kullanma kılavuzuna bakın.

Jabra JX10 cara 'nin Jabra Bluetooth Hub'ı ile kullanılması, kulaklığın bir cep telefonu kullanılmasına çok benzerdir. Tek fark, ofis telefonu yapılan aramanın kulaklığa aktarılmasıdır.

Aramanın kulaklığa aktarılması

- Ofis telefonuyla yapılan aramayı, Jabra Bluetooth Hub'ı ile kulaklığa aktarmak için cevaplama/bitirme düğmesine dokununuz.

Jabra JX10 cara 'nin ofis telefonundan yapılan aramayı otomatik olarak cevaplayabilmesi için, siz masadan uzakken çağrıya cevap vermeyi sağlayan bir aygıt (handset lifter) kullanılması gerekmektedir.

9 Sorun Giderimi & FAQ (En Sık Sorulan Sorular)

Cızırtılı sesler duyuyorum

En iyi işitme kalitesi için, kulaklığınızı her zaman cep telefonunuzun bedeninizdeki tarafıyla aynı tarafa takınız.

Kulaklığında hiçbirşey duyuyorum

- Kulaklıktaki ses seviyesini artırınız.
- Kulaklık ile telefonun eşleşmiş olduğunu kontrol ediniz.
- Telefonun kulaklığa bağlı olduğundan emin olunuz – telefonun Bluetooth menüsünden ya da yanıtla/bitir düğmesine dokunulmasıyla bağlanılamazsa, eşleme işlemini gözden geçirin (bkz kısım 3).

Telefonum aksini belirtse de eşleme sorunları oluşuyor

Cep telefonunuzdaki kulaklık eşleme bağlantısını silmiş olabilirsiniz. 3 kısmındaki eşleme talimatlarını uygulayınız.

Jabra JX10 cara başka Bluetooth cihazla çalışacak mı?

Jabra JX10 cara, Bluetooth cep telefonları ile çalışmak üzere dizayn edilmiştir. Bluetooth versiyon 1.1 ya da 1.2 ile uyumlu ya da bir kulaklığı ve/veya hands-free profil destekleyen diğer Bluetooth cihazları ile de çalışabilir.

Çağrıyı reddet, aramayı beklet, Yeniden ara ya da sesli arama özelliklerini kullanamıyorum

Bu fonksiyonlar telefonunuzun bunları destekleyip desteklemediğine bağlı olarak değişir. Daha fazla bilgi için lütfen telefonunuzun kullanma kılavuzunu kontrol ediniz.

10 Daha fazla yardıma mı ihtiyacınız var?

Daha fazla bilgi için kapağın iç kısmına bakın

11 Kulaklığınızın bakımı

- Jabra JX10 cara cihazını her zaman kapalı konumda ve güvenli biçimde saklayınız.
- Aşırı sıcaklıklarda saklamaktan kaçınınız (45°C/113°F üstünde – doğrudan güneş ışığı dahil – ya da -10°C/14°F altında). Bu, batarya ömrünü azaltabilir ve işletimi etkileyebilir. Yüksek ısılar performansı da düşürebilir.
- Jabra JX10 cara cihazını yağmura ya da diğer sıvılara maruz bırakmayınız.

12 Servis ve Garanti Bilgileri

Sınırlı İki (2) Yıl Garanti

GN Netcom AS ("GN"), ürünün, satın alma tarihinden sonraki iki (2) yıl içinde ("Garanti Süresi") malzeme ve işçilikten (aşağıda belirtilen koşullara bağlı olarak) kaynaklanacak hatalar içermeyeceğini garanti etmektedir. Garanti Süresi içinde GN, bu ürünü ya da arızalı parçaları onaracak ya da değiştirecektir (GN'in kararına bağlı olarak) ("Garanti Hizmeti"). Onarım ya da değiştirme ticari olarak mümkün değilse ya da zamanında yapılamıyorsa, GN, etkilenen ürün için ödenen satın alma tutarını size geri iade etmeyi seçebilir. Bu garanti koşulları altında yapılacak onarım ya da değiştirme, size, garanti süresini uzatma ya da garanti süresinin yeniden başlatılması hakkı vermez.

Bu Garanti Kapsamında Talepler

Garanti Hizmeti almak için lütfen ürünü satın aldığınız GN bayisiyle görüşün; ya da müşteri desteğiyle ilgili daha fazla bilgi almak için www.gnnetcom.com ya da www.jabra.com sitelerine bakın.

Bu Ürünü bayiiye getirmez; ya da orijinal ambalajında ya da benzer derecede koruma sağlayacak başka bir ambalajda bayi veya GN'e (www.gnnetcom.com ya da www.jabra.com'de belirtiliyorsa) göndermeniz gerekecektir.

Ürünün GN'e gönderilme masrafları size ait olacaktır. Ürün garanti kapsamındaysa, GN, servis işlemlerinin bu garanti kapsamı altında tamamlanmasının ardından ürün geri gönderilmesi masrafini üstlenecektir. Garanti kapsamında olmayan, ya da garanti kapsamında onarım gerektirmeyen ürünlerin iadesindeki nakliye ücreti sizden alınacaktır.

Garanti Hizmet'i alabilmek için aşağıdaki bilgilerin verilmesi gerekmektedir: (a) ürün, ve (b) satıcının adını ve adresini, satın alınma tarihini ve ürün türünü açık belirten, ürünün Garanti Süresi içinde olduğunu kanıtlayan satın alma belgesi. Lütfen ayrıca (c) ürünün hangi adrese geri gönderileceğini, (d) gündüz size ulaştırılabilecek bir telefon numarasını ve (e) geri gönderme nedeninizi de ayrıca belirtin.

GN/Jabra'nın çevresel atıkların azaltılması çabalarının bir parçası olarak üründe, bazıları yenilenerek değiştirilen kullanılmış parçalardan oluşan bileşenler bulunabilir. Kullanılan bileşenlerin tamamı GN/Jabra'nın yüksek kalite standartlarına, GN ürünlerinin performans ve güvenilirlik koşullarına uygundur. Değiştirilen parçalar ya da bileşenler, GN'in malı olur.

Garanti Sınırlaması

Bu garanti, yalnızca ürünün ilk satın alan kişi için geçerlidir ve ürün satılır, ya da başka bir şekilde diğer bir kişiye aktarılırsa, sona erme tarihi beklenmeden otomatik olarak sona erer. GN tarafından bu bildiri ile sağlanan garanti, ikinci el ürünler için değil, yalnızca kullanılmak üzere satın alınmış ürünler için geçerlidir. "Olduğu gibi" ve herhangi bir garanti içermeyen yapılan ikinci el satışlar için geçerli değildir.

Özellikle mikrofon rüzgarlık başlıklar, kulak yastıkları, modüler fişler, kulaklık süngeri, dekoratif kaplamalar, piller ve diğer aksesuarlar gibi normal yıpranma ve aşınmaya maruz kalabilecek sınırlı ömürlü parçalar garanti kapsamı dışındadır.

Özellikle mikrofon rüzgarlık başlıklar, kulak yastıkları, modüler fişler, kulaklık süngeri, dekoratif kaplamalar, piller ve diğer aksesuarlar gibi normal yıpranma ve aşınmaya maruz kalabilecek sınırlı ömürlü parçalar garanti kapsamı dışındadır.

13 Sözlük

- 1 Bluetooth**, cep telefonları ve kulaklıklar gibi cihazları kısa mesafede (yaklaşık. 30 feet) kablolar ya da teller olmaksızın bağlantılı kılan bir radyo teknolojisidir. www.bluetooth.com adresinden daha fazla bilgi edinebilirsiniz.
- 2 Bluetooth profilleri**, Bluetooth cihazlarının diğer cihazlarla haberleştiği farklı yollardır. Bluetooth telefonları, kulaklık profilini, hands-free profilini ya da her ikisini destekler. Belli bir profili desteklemesi için, telefonun üreticisi telefonun yazılımı dahilinde belli bazı zorunlu özellikleri tatbik etmelidir.
- 3 Eşleme**, iki Bluetooth cihazı arasında tek ve şifreli bir bağlantı kurar ve bunların birbirleriyle haberleşmelerine imkan verir. Eğer cihazlar eşlenmediyse Bluetooth cihazları çalışmayacaktır.
- 4 Şifre ya da PIN**, Jabra JX10 cara ile eşlemek üzere cep telefonunuzda girdiğiniz bir koddur. Bu, telefonunuzun ve Jabra JX10 cara cihazınızın birbirini tanımamasını ve otomatik olarak birlikte çalışmasını sağlar.
- 5 Standby (Bekleme) modu**, Jabra JX10 cara cihazı pasif halde bir arama beklediği zamandır. Cep telefonunuzda bir aramayı 'bitirdiğiniz' zaman kulaklık bekleme moduna geçer.



Ürününüzü, yerel standartlara ve yönetmeliklere uygun biçimde atın. www.jabra.com/weee

Bu garanti, fabrikada basılmış seri numarası, tarih etiketi ya da ürün etiketi değiştirilmiş ya da üründen sökülmüşse geçersizdir.

Bu Garanti, görünümde meydana gelen ya da yanlış, kötü, ihmalkar kullanım, Doğal Afetler, kaza, ürünün ya da herhangi bir parçasının sökülmesi ya da değiştirilmesinden kaynaklanacak hasarları kapsamaz. Bu garanti, yanlış kullanma, bakım ya da montaj veya GN ya da GN'in garanti kapsamına aldığı onarımları yapabileme yetkisine sahip GN bayileri dışında kişilerce yapılmış onarım girişimleri sonucunda meydana gelecek hasarları kapsamaz. Yetkisiz kişilerce yapılan onarımlar bu garantiyi geçersiz hale getirir.

BU GARANTİ ALTINDA YAPILAN ONARIM YA DA PARÇA DEĞİŞİMLERİ, TÜKETİCİNİN BAŞVURABİLECEĞİ TEK YOLDUR. GN, BU ÜRÜNÜN HİÇBİR AÇIK YA DA İMA EDİLEN GARANTİSİNİN ÇIĞNENMESİNDEN MEYDANA GELEBİLECEK TESADÜFİ YA DA SONUÇTA ORTAYA ÇIKABİLECEK HASARLARDAN SORUMLU OLMAYACAKTIR. YASALAR TARAFINDAN YASAKLANAN KAPSAM DIŞINDA BU GARANTİ ÖZELDİR VE SATILABİLİRLİK VE BELİRLİ BİR AMACA UYGUNLUK GARANTİLERİ DAHİL OLMAK, ANCAK BUNLARLA SINIRLI OLMAMAK KOŞULUYLA HER TÜRLÜ AÇIK YA DA İMA EDİLEN GARANTİNİN YERİNİ ALMAKTADIR.

NOT! Bu garanti size özel haklar sağlar. Yerel farklılıklar gösterebilecek başka haklara da sahip olabilirsiniz. Bazı yasalar, tesadüfi ya da sonuçta meydana gelen hasarların ya da ima edilen garantilerin hariç tutulması ya da sınırlandırılmasına izin vermemektedir. Bu nedenle yukarıda bahsedilen harici durumlar sizin için geçerli olmayabilir. Bu garanti, yürürlükteki tabi olduğunuz ulusal veya yerel yasalara bağlı yasal (kanuni) haklarınızı etkilemez.

ČESKY

Děkujeme vám	52
O sluchátku Jabra JX10 cara.....	53
Co dovede vaše sluchátko	54
JAK ZAČÍT	54
Nabíjení náhlavní soupravy	54
Zapnutí a vypnutí sluchátka	55
Spárování s telefonem	55
Noste sluchátko tak, jak vám to vyhovuje.....	55
Jak postupovat při	56
Co znamenají kontrolky.....	57
Použití náhlavní sady Jabra JX10 cara se dvěma mobilními telefony	57
Použití Jabra Bluetooth Hub	57
Odstraňování poruch a často kladené otázky	58
Potřebujete další rady?	58
Péče o náhlavní soupravu.....	58
Informace o servisu a záruce	59
Slovník.....	61

Děkujeme vám

Děkujeme vám za zakoupení náhlavní soupravy Jabra JX10 cara Bluetooth®. Doufáme, že si ji užijete! Tato uživatelská příručka vám pomůže při rychlém seznámení s přístrojem a umožní vám jej využívat co nejlépe.

VAROVÁNÍ!

Sluchátka dokáží reprodukovat hlasitý zvuk a velmi vysoké tóny. Pokud byste se vystavovali extrémním zvukům, mohli byste si způsobit trvalé poškození sluchu. Hlasitost se může lišit podle podmínek, například podle vámi používaného telefonu, jeho příjmu a nastavení hlasitosti a také podle prostředí. Než začnete náhlavní sadu používat, přečtěte si níže uvedené pokyny.

Bezpečnostní pokyny

1. Než začnete používat tento produkt, postupujte podle těchto kroků:

- než si náhlavní sadu nasadíte, nastavte hlasitost na co nejnižší úroveň,
- nasadte si náhlavní sadu a pak
- pomalu nastavte ovladač hlasitosti na pohodlnou úroveň.

2. Během používání tohoto výrobku

- Udržujte hlasitost na co nejnižší úrovni a nepoužívejte sluchátka v hlučném prostředí, v němž můžete mít sklon zvýšit hlasitost.
- Pokud je vyšší hlasitost nutná, zvyšujte ji pomalu.
- Jestliže pocítíte určitou nepohodu nebo zvonění v uších, okamžitě přestaňte sluchátka používat a poraďte se s lékařem.

Při opakovaném používání sluchátek při vysoké hlasitosti se vaše uši přizpůsobí této hlasitosti, což může vést k trvalému poškození sluchu, aniž byste přitom pocítovali nějaké nepříjemné příznaky.

Používání náhlavní sady při řízení motorového vozidla, motorky, plavidla nebo jízdního kola může být nebezpečné a v některých zemích je zakázáno. Seznamte se s dopravními předpisy daného státu. Buďte opatrní při používání náhlavní sady při činnostech vyžadujících plnou pozornost. Při výkonu jakékoliv takové činnosti sejměte sluchátka z uší nebo je vypněte, aby vás nic nerozptylovalo, zabráníte tak nehodě nebo zranění.

3. Uchovávejte mimo dosah dětí:

Plastové tašky, v nichž jsou produkt a jeho součásti zabaleny, nejsou dětskými hračkami. Samotné tašky nebo velký počet malých součástí, které obsahují, mohou po požití způsobit zadušení. Nikdy se nepokoušejte produkt rozebrat sami. Žádnou z vnitřních komponent nemohou vyměnit ani opravit uživatelé.

Otevřít produkt směji pouze autorizovaní prodejci nebo servisní centra. Pokud je zapotřebí kteroukoli součást produktu z jakéhokoliv důvodu včetně běžného opotřebení nebo rozbití vyměnit, obraťte se na svého prodejce.

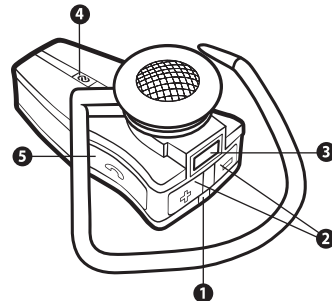
Nevystavujte produkt dešti ani jiným kapalinám.
Produkt zlikvidujte v souladu s místními normami a předpisy.
www.gnnetcom.com/weee

4. ACA TS028 – Vznícení hořlavé atmosféry

Nepoužívejte náhlavní soupravu v prostředí, kde hrozí nebezpečí vznícení hořlavých plynů.

O sluchátku Jabra JX10 cara

1. Kontrolka LED
 - Modrá udává režim (párovací, aktivní nebo pohotovostní)
 - Červená/zelená udává stupeň nabití baterie (téměř vybitá, nabíjí se nebo je nabitá)
2. Zvýšení hlasitosti (+), snížení hlasitosti (-)
3. Nabíjecí zdířka
4. Párovací tlačítko – **stiskněte** pro uvedení sluchátka do párovacího režimu
5. Tlačítko přijetí/ukončení hovoru
 - **Stiskněte** k zapnutí sluchátka (modrý záblesk znamená zdařilé zapnutí)
 - **Stiskněte a přidržte** k vypnutí sluchátka (modrý záblesk znamená zdařilé vypnutí)
 - **Krátce stiskněte**, chcete-li přijmout nebo ukončit hovor



Co dovede vaše sluchátko

Vaše sluchátko Jabra JX10 cara vám poskytuje následující funkce (v závislosti na tom, zda váš telefon příslušnou funkci podporuje):

- přijímat hovory
- ukončovat hovory
- odmítat hovory*
- vytáčení hlasem*
- opakování posledního volaného čísla*
- signalizaci čekajícího hovoru*
- odložení probíhajícího hovoru*

* Závisí na telefonu

Specifikace

- Doba hovoru až 6 hodin, pohotovostní doba až 200 hodin
- Nabíjecí baterie s možností napájení ze síťového zdroje, PC přes kabel USB, nabíječky k počítači nebo do auta (nejsou zahrnuty)
- Méně než 17 gramů
- Operační vzdálenost max. 10 metrů (cca 33 stop)
- Odpovídá Bluetooth profilům pro sluchátko a hands-free
- Specifikace technologie Bluetooth (viz **glosář**) verze 1.2

JAK ZAČÍT

Se sluchátkem Jabra JX10 cara se pracuje snadno. Tlačítko přijetí/ukončení hovoru na sluchátku plní různé funkce podle toho, na jak dlouho je stisknete.

Pokyny	Délka stisknutí:
Klepnutí	Krátké stisknutí
Dvojitě klepnutí	2 klepnutí rychle po sobě
Stisknutí	Přibližně 1 sekundu
Stiskněte a přidrže	Přibližně 2-3 sekundy

1 Nabíjení náhlavní soupravy

Před prvním použitím zkontrolujte, zda je náhlavní souprava Jabra JX10 cara plně nabitá. K nabíjení z elektrické zásuvky použijte síťový adaptér nebo nabíjejte přímo z počítače pomocí přiloženého USB kabelu anebo použijte automobilovou nabíječku – viz obr. 3. Náhlavní soupravu připojte podle obrázků 2. Náhlavní souprava se nabíjí, jestliže světélko LED svítí bez přerušení červeně. Když světélko LED zezelená, je náhlavní souprava plně nabitá.

Nabíjení ze stolního stojanu

Připojte kabel USB / síťový adaptér ke stolnímu stojanu. Náhlavní soupravu JX10 cara vložte do stolního stojanu tak, jak to vidíte na obr. 3

Poznámka: Životnost baterie se značně zkrátí, jestliže zařízení necháte dlouho bez nabíjení. Proto doporučujeme zařízení nabíjet alespoň jednou do měsíce..


2 Zapnutí a vypnutí sluchátka

- **Stiskněte** tlačítko přijetí/ukončení hovoru a sluchátko zapněte.
- **Stiskněte a přidrže** tlačítko přijetí/ukončení hovoru a sluchátko vypněte.

3 Spárování s telefonem

Než své sluchátko Jabra JX10 cara začnete používat, musíte je spárovat se svým mobilním telefonem.

1. Uvedte sluchátko do párovacího režimu

- Ubezpečte se, že je sluchátko zapnuté.
- **Stiskněte** označené párovací tlačítko .

2. Nastavte svůj telefon Bluetooth, aby "objevil" sluchátko Jabra JX10 cara

Řiďte se návodem na obsluhu vašeho telefonu. To obvykle znamená, že vstoupíte do nabídky 'nastavení', 'připojení' nebo 'Bluetooth' na **svém telefonu** a vyberete možnost 'objevení' nebo 'přidání' zařízení Bluetooth. * (**Na obr. 6 se podívejte na příklad z typického mobilu**)

3. Vaš telefon najde sluchátko Jabra JX10 cara

Pak se váš telefon zeptá, zda chcete, aby se se sluchátkem spároval. Přijměte stiskem 'Ano' nebo 'OK' na telefonu a potvrďte vložení **hesla nebo PIN = 0000 (4 nuly)**.

Telefon vám potvrdí, když bude párování skončeno. V případě neúspěšného párování, opakujte kroky 1 až 3.

4 Noste sluchátko tak, jak vám to vyhovuje

Sluchátko Jabra JX10 cara je dodáváno k nasazení na pravé ucho. Dáváte-li přednost levému uchu, jemně sejměte ušní sponu a otočte ji tak, aby bylo možno ji nasadit na levé ucho. **Viz obr. 4** žádné překážky.

5 Jak postupovat při ...

přijetí hovoru

- **Krátce stiskněte** tlačítko přijetí/ukončení hovoru na svém sluchátku k přijetí hovoru.

ukončení hovoru

- **Krátce stiskněte** tlačítko přijetí/ukončení hovoru k ukončení aktivního hovoru.

volání

- Když voláte ze svého mobilního telefonu, hovor se (v závislosti na nastavení telefonu) automaticky přepojí do vašeho sluchátka. Jestliže váš telefon tuto funkci neumožňuje, krátce stiskněte tlačítko přijetí/ukončení hovoru na sluchátku Jabra JX10 cara a přepojte hovor do sluchátka.

odmítnutí hovoru*

- Chcete-li odmítnout příchozí hovor, **stiskněte** tlačítko přijetí/ukončení hovoru ve chvíli, kdy telefon zvoní. V závislosti na nastavení vašeho telefonu bude volající osoba buď přeměrována na vaši hlasovou poštu nebo uslyší obsazovací tón.

Aktivace hlasového vytáčení*

- Stiskněte tlačítko pro příjem/ukončení volání. Pro nejlepší výsledky provádějte nahrávky pro hlasové vytáčení pomocí náhlavní sady. Další informace o používání této funkce najdete v návodu k použití telefonu.

Opakované vytočení posledního čísla*

- Dvakrát poklepejte na tlačítko pro příjem/ukončení volání, když je náhlavní sada zapnuta a nepoužívá se.

nastavení zvuku a hlasitosti

- **Stiskněte** tlačítko zesílit nebo zeslabit (+ nebo -) a upravte hlasitost. **Viz obr. 1**

signalizaci čekajícího hovoru a odložení probíhajícího hovoru*

Tato funkce vám umožňuje dočasně odložit probíhající hovor a odpovědět na čekající hovor.

- **Stiskněte** jednou tlačítko přijetí/ukončení hovoru k odložení probíhajícího hovoru a přijetí čekajícího hovoru.
- **Stiskněte** tlačítko přijetí/ukončení hovoru k přepínání mezi oběma hovory.
- **Krátce stiskněte** tlačítko přijetí/ukončení hovoru k ukončení aktivního hovoru.

* **Funkce označené hvězdičkou * jsou dostupné, jestliže je váš telefon podporuje. Další informace najdete v návodu k použití vašeho telefonu.**

6 Co znamenají kontroly

Co uvidíte	Jaký je význam pro funkci náhlavní soupravy
Problíkávající modré světlo	Problíknutí každou sekundu: Aktivní hovor
Problíkávající modré světlo	Problíknutí každé tři sekundy: V pohotovostním režimu
Problíkávající červené světlo	Téměř vybitá baterie
Trvale svítící červené světlo	Nabíjení
Trvale svítící zelené světlo	Plně nabit
Trvale svítící modré světlo	V režimu párování – viz část 3

7 Použití náhlavní sady Jabra JX10 cara se dvěma mobilními telefony

Náhlavní sada Jabra JX10 cara může mít současně připojeny 2 mobilní telefony. Můžete tak pouze s jednou náhlavní sadou provozovat oba mobilní telefony a funkce náhlavní sady se obsluhují tak, jak popisuje část 6.

Pouze musíte pamatovat na to, že funkce it must observed that Opakované vytočení posledního čísla vytočí číslo posledního odchozího volání, neheldě na použitý mobil, a funkce Hlasové vytáčení bude fungovat pouze na posledním spárovaném mobilním telefonu.

8 Použití Jabra Bluetooth Hub

Náhlavní sadu Jabra JX10 cara můžete používat se zařízením Jabra Bluetooth Hub (prodává se zvlášť). To vám umožní používat náhlavní sadu jednak s mobilním telefonem a jednak s telefonem pevné linky.

Jak spárovat Jabra JX10 cara a zařízení Jabra Bluetooth Hub

Proces párování je trochu odlišný:

- Přepněte Jabra JX10 cara do režimu párování.
- Přepněte zařízení Jabra Bluetooth Hub do režimu párování.
- Umístěte je co nejbližší k sobě. Pro spárování těchto dvou produktů Jabra nepotřebujete speciální PIN kód. Informace o tom, jak připojit zařízení Bluetooth Hub k telefonu pevné linky naleznete v uživatelské příručce pro zařízení Jabra Bluetooth Hub.

Použití zařízení Jabra JX10 cara s Jabra Bluetooth Hub se velmi podobá používání náhlavní sady pouze s mobilním telefonem. Jediným rozdílem je v přenosu volání do náhlavní sady z telefonu pevné linky.

Přenos volání do náhlavní sady

- Poklepejte na tlačítko příjmu/ukončení volání, abyste přenesli volání z telefonu pevné linky do náhlavní sady prostřednictvím zařízení Jabra Bluetooth Hub

Příjem volání z telefonu pevné linky vyžaduje zvedáč sluchátka, aby náhlavní sada Jabra JX10 cara mohla automaticky přijímat volání.

9 Odstraňování poruch a často kladené otázky

Jsou slyšet praskavé zvuky

Nejlepší kvality zvuku dosáhnete v případě nošení náhlavní soupravy a mobilního telefonu na stejné straně těla.

V náhlavní soupravě není nic slyšet

- Zvyšte hlasitost náhlavní soupravy.
- Ujistěte se, že náhlavní souprava je spárována s telefonem.
- Ujistěte se, že telefon se k náhlavní soupravě připojuje – pokud se k ní nepřipojuje, zajistěte spárování buď prostřednictvím menu Bluetooth v telefonu nebo klepnutím na tlačítko přijmout/ukončení hovoru (viz část 3).

Mám problémy s párováním přístrojů, i když můj telefon indikuje opak

Mohli jste smazat informace o spárování s náhlavní soupravou v mobilním telefonu. Postupujte podle pokynů pro párování v části 3.

Je náhlavní souprava Jabra JX10 cara schopna spolupracovat s dalšími přístroji Bluetooth?

Náhlavní souprava Jabra JX10 cara je určena ke spolupráci s mobilními telefony vybavenými technologií Bluetooth. Může rovněž spolupracovat s jinými zařízeními Bluetooth, které splňují požadavky standardu Bluetooth verze 1.1 nebo 1.2 a podporují profil náhlavní soupravy a/nebo hands-free.

Nelze používat odmítnutí hovoru, přidržení hovoru, opakování posledního volání nebo hlasové volání

Tyto funkce jsou závislé na tom, zda-li je podporuje váš telefon. Další informace naleznete v příručce ke svému telefonu

10 Potřebujete další rady?

Další podrobnosti najdete na vnitřní straně obalu.

11 Péče o náhlavní soupravu

- Náhlavní soupravu Jabra JX10 cara vždy ukládejte vypnutou a dostatečně chráněnou.
- Neukládejte ji za vysokých teplot (nad 45°C / 113°F) – například na přímém slunečním světle – nebo pod -10°C/14°F). Mohlo by to zkrátit životnost baterie a ovlivnit funkci náhlavní soupravy. Vysoké teploty mohou také zhoršit výkonnost.
- Nevystavujte náhlavní soupravu Jabra JX10 cara působení deště nebo jiných kapalin.

12 Informace o servisu a záruce

Omezená dvouletá záruka

Společnost GN Netcom AS ("GN") zaručuje, že se na tomto produktu nebudou vyskytovat žádné materiálové vady ani vady zpracování (viz podmínky uvedené níže), po dobu dvouletá (2) roku od data zakoupení („záruční doba“). Během záruční doby společnost GN tento produkt nebo jakékoli jeho vadné součásti (podle vlastního úsudku) opraví nebo vymění („záruční servis“). Pokud oprava nebo výměna nebudou z obchodního hlediska možné nebo pokud je nebude možné zajistit včas, společnost GN se může rozhodnout vrátit zákazníkovi částku, kterou za příslušný produkt zaplatil. Oprava nebo výměna za podmínek této záruky nedává zákazníkovi právo na rozšíření záruky ani na nový začátek záručního období.

Nároky na základě záruky

Chcete-li požádat o záruční servis, obraťte se na prodejce společnosti GN, od něhož jste produkt zakoupili, nebo si vyhledejte další informace o zákaznické podpoře na stránkách www.gnnetcom.com nebo www.jabra.com.

Je třeba, abyste tento produkt vrátili prodejci nebo jej zaslali prodejci či společnosti GN (pokud je tento postup uveden na stránkách www.gnnetcom.com nebo www.jabra.com) buď v originálním obalu, nebo v obalu, který zaručí rovnocenný stupeň ochrany produktu.

Náklady na zaslání produktu společnosti GN hradí zákazník. Pokud se na produkt vztahuje záruka, společnost GN po provedení servisu na základě této záruky uhradí náklady spojené s odesláním produktu zpět zákazníkovi. Náklady za odeslání zpět budou zákazníkovi vyúčtovány pouze v případě, že se na daný produkt záruka nevztahuje nebo produkt žádnou záruční opravu nevyžaduje.

Při žádosti o provedení záručního servisu je třeba připojit následující informace: (a) produkt a (b) doklad o zakoupení, na němž je jasně uvedeno jméno a adresa prodejce, datum zakoupení a typ produktu, které doloží, že produkt je stále v záruční době. Dále připojte (c) svou zpáteční adresu, (d) telefon, na němž jste během dne k zastížení, a (e) důvod vrácení.

Společnost GN/Jabra usiluje o co nejmenší zatížení životního prostředí. Proto produkt může sestávat z recyklovaného vybavení, jehož součástí mohou být již použité komponenty, z nichž některé mohly být přepracovány. Veškeré použité komponenty splňují vysoké standardy jakosti společnosti GN/Jabra a odpovídají požadavkům společnosti GN na výkon a spolehlivost jejich produktů. Vyměněné součásti nebo komponenty se stávají majetkem společnosti GN.

Omezení záruky

Tato záruka je platná pouze pro původního kupujícího, a pokud bude produkt prodán nebo jinak převeden další straně, automaticky pozbývá platnosti ještě před vypršením. Záruka poskytovaná společností GN v tomto prohlášení se vztahuje pouze na produkty zakoupené za účelem používání, nikoli za účelem dalšího prodeje. Nevztahuje se na produkty zakoupené v otevřeném balení, které jsou prodávány „tak, jak jsou“ a bez jakékoli záruky.

13 Slovník

Ze záruky jsou výslovně vyňaty spotřební komponenty s omezenou životností, které podléhají běžnému opotřebení, jako jsou například ochrany mikrofonu proti větru, podušky pro uši, modulové konektory, zakončení pro uši, dekorativní povrchová úprava, baterie a další příslušenství.

Pokud byl z produktu odstraněn štítek se sériovým číslem připevněný v závodě, štítek s kódem data nebo štítek produktu nebo pokud byly tyto štítky změněny, pozbývá záruka platnosti.

Tato záruka se nevztahuje na kosmetická poškození nebo poškození v důsledku nesprávného použití, hrubého zacházení, nedbalosti, živelních pohrom, nehod, demontáže nebo úprav produktu či kterékoli jeho součásti. Tato záruka se nevztahuje na poškození v důsledku nesprávného používání, údržby či instalace nebo pokusů o opravu kýmkoli jiným než společností GN nebo prodejcem společnosti GN, který je touto společností oprávněn provádět záruční práce. Jakékoli neoprávněné opravy budou mít za následek propadnutí této záruky.

NÁHRADOU POSKYTNOUTOU ZÁKAZNÍKOVÍ JE VÝLUČNĚ OPRAVA NEBO VÝMĚNA PROVEDENÁ NA ZÁKLADĚ TĚTO ZÁRUKY. SPOLEČNOST GN NEBUDE ODPOVĚDNÁ ZA ŽÁDNÉ NÁHODNÉ ANI NÁSLEDNÉ ŠKODY, KTERÉ BY VEDLY K PORUŠENÍ JAKÉKOLI VÝSLOVNĚ ČI PŘEDPOKLÁDANÉ ZÁRUKY NA TENTO PRODUKT. KROMĚ PŘÍPADŮ ZAKÁZANÝCH ZÁKONEM JE TATO ZÁRUKA ZÁRUKOU VÝLUČNOU A NAHRAZUJE JAKÉKOLI JINÉ VÝSLOVNĚ I PŘEDPOKLÁDANÉ ZÁRUKY, VČETNĚ (AVŠAK NIKOLI POUZE) ZÁRUKY PRODEJNOSTI A VHODNOSTI K DANÉMU ÚČELU.

POZNÁMKA: Tato záruka vám poskytuje určitá zákonná práva. Můžete mít také další práva, která se mohou na různých místech lišit. V některých zemích není dovoleno vyloučení nebo omezení náhodných či následných škod nebo předpokládaných záruk. V takovém případě se na vás výše uvedená vyloučení nemusejí vztahovat. Tato záruka nemá dopad na vaše zákonná práva stanovená příslušnými národními nebo místními zákony.

- 1 Bluetooth** je rádiová technologie vyvinutá pro spojení přístrojů, jako jsou mobilní telefony a náhlavní soupravy, bez nutnosti propojení vodiči na krátkou vzdálenost přibližně 10 metrů (přibližně 30 stop). Další informace získáte na adrese www.bluetooth.com.
- 2 Profily Bluetooth** jsou různé způsoby, jejichž prostřednictvím komunikují přístroje Bluetooth s jinými přístroji. Telefony Bluetooth podporují buď profil náhlavní soupravy, nebo profil hands-free a nebo oba profily. Kvůli podpoře některého specifického profilu musí výrobce telefonu implementovat některé povinné rysy do software telefonu.
- 3 Párování** vytvoří unikátní a zašifrované komunikační spojení mezi dvěma zařízeními vybavenými technologií Bluetooth a umožní jim komunikovat navzájem mezi sebou. Zařízení Bluetooth nebudou funkční v případě, že spolu nebyly spárovány.
- 4 Heslo nebo PIN** je tajný kód, který musí být zadán do telefonu v případě, že jej chcete spárovat s náhlavní soupravou Jabra JX10 cara. Telefon i Jabra JX10 cara se navzájem rozpoznají a automaticky budou spolupracovat.
- 5 Pohotovostní režim** je takový, při kterém náhlavní souprava Jabra JX10 cara pasivně vyčkává na volání. Jakmile „ukončíte“ hovor z vašeho mobilního telefonu, náhlavní souprava se přepne do pohotovostního režimu.



Výrobek likvidujte v souladu s místními normami a předpisy.
www.jabra.com/weee

Magyar

Köszönet	64
Tudnivalók a Jabra JX10 cara-ról	65
A fülhallgató a következő esetekben használható	66
Első lépések	66
A mikrofonos fejhallgató feltöltése	66
A fülhallgató be- és kikapcsolása.....	67
Párosítás a telefontal	67
Viselje, ahogy a legkényelmesebb.....	67
Hogyan.....	68
Fényjelzések	69
A Jabra JX10 cara használata két mobiltelefonnal	69
Jabra Bluetooth kapcsolóelem használata	69
Hibaelhárítás és GYIK	70
Segítségre van szüksége?	70
A headset karbantartása	70
Szerviz- és jótállási információk	71
Szószedet	73

Köszönet

Köszönjük, hogy a Jabra JX10 cara Bluetooth® Headset-et választotta. Reméljük, örömmel fogja használni!

Ez a használati utasítás átvezeti Önt az első lépéseken, és segít kihasználni a headset nyújtotta lehetőségeket.

FIGYELMEZTETÉS!

A fülhallgató hangos és magas hangszínű hangokat is képes közvetíteni. Az ilyen hangok tartós halláskárosodást okozhatnak. A hangerő különféle feltételektől függően változhat, például a telefon típusától, a vétel erősségétől és a hangerő beállításoktól, valamint a környezettől. Kérjük, a headset használata előtt olvassa el az alábbi biztonsági útmutatókat.

Biztonsági útmutatók

1. Használatbavétel előtt tegye meg a következő lépéseket:

- mielőtt felteszi a fülhallgatót, a hangerőt állítsa minimumra,
- tegye fel a fülhallgatót, majd
- lassan állítsa be a hangerőt a megfelelő szintre.

2. A termék használata közben

- A hangerőt tartsa a lehető legalacsonyabb szinten, és lehetőleg ne használja a fülhallgatót zajos környezetben, ahol fel kellene hangosítania;
- Ha nagyobb hangerő szükséges, a hangerőszabályzót lassan állítsa be; és
- Ha kényelmetlennek érzi a hangerőt, vagy cseng a füle, azonnal hagyja abba a fülhallgató használatát és beszéljen orvosával.

Ha a fülhallgatót folyamatosan nagy hangerőn használja, a füle hozzászokhat a zajszinthez, ami maradandó halláskárosodást okozhat anélkül, hogy ennek tüneteit észlelné.

A headset használata gépkocsi, motorkerékpár, vízi jármű vagy kerékpár vezetése közben veszélyes és egyes országok törvényei szerint tilos. Nézzon utána a helyi jogszabályoknak. Ha teljes figyelmet igénylő tevékenységbe kezd, legyen elővigyázatos a headset használatakor. Amikor ilyen tevékenységbe fog, vegye le a fülhallgatót a füléről, vagy kapcsolja ki azt, hogy semmi se vonja el figyelmét és így elkerülhesse a balesetet vagy sérülést.

3. Gyermekektől távol tartandó:

A termék és annak alkatrészeit tartalmazó műanyag tasak nem gyermekjáték. A tasakok vagy azok apróbb részeinek lenyelése fülladást okozhat. A terméket soha ne próbálja meg önállóan szétszerelni. A belső alkatrészeit a felhasználók nem tudják kicserélni vagy megjavítani.

Csak az erre felhatalmazott viszonteladók vagy szervizközpontok nyithatják fel a terméket. Ha a termék bármelyik alkatrészét cserélni kell valamely okból, beleértve a normál elhasználódást, szakadást vagy törést, lépjen kapcsolatba a viszonteladóval.

A terméket tartsa távol az esőtől és más folyadékoktól.

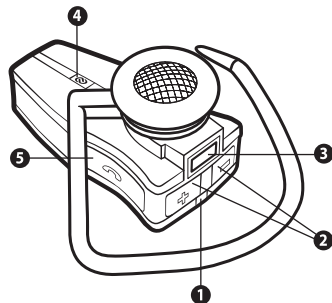
A termék ártalmatlanítását a helyi előírások és szabályok szerint végezze. www.gnnetcom.com/weee

4. ACA TS028 – Gyúlékony gázok berobbanása

A fejhallgatót ne használja olyan területen, ahol fennáll a gyúlékony gázok berobbanásának veszélye.

Tudnivalók a Jabra JX10 cara-ról

1. LED kijelző
 - A kék fény az aktuális üzemmódot jelzi (párosítás, aktív vagy készenléti állapot)
 - A zöld, ill. piros fény az akkumulátor állapotát mutatja (lemerült, töltés alatt vagy feltöltve)
2. (-) Hangosítás (+), halkítás (-)
3. Töltő foglalat
4. Párosítás gomb – **nyomja meg** a párosítási üzemmód bekapcsolásához
5. Válasz/bontás gomb
 - **Nyomja meg** a fülhallgató bekapcsolásához (a bekapcsolást a felvillanó kék fény jelzi)
 - **Nyomja meg és tartsa lenyomva** a fülhallgató kikapcsolásához (a kikapcsolást a felvillanó kék fény jelzi)
 - **Kattintson** a gombra a hívás fogadásához vagy bontásához



A fülhallgató a következő esetekben használható

A Jabra JX10 cara-zel a következő műveletek végezhetőek el (amennyiben a párosított telefon támogatja az adott műveletet):

- Hívás fogadása
- Hívás bontása
- Hívás elutasítása*
- Hang-tárcsázás*
- Utolsó szám újrAhívása*
- Hívás várakoztatása*
- Hívás tartása*

* Telefon függő

Jellemzők

- Legfeljebb 6 óra beszélgetési és legfeljebb 200 óra készenléti idő
- Váltóáramú áramforrásról, PC-ről USB-n keresztül, asztali töltővel vagy autótöltővel újratölthető akkumulátor (az akkumulátor nincs mellékelve)
- Kevesebb, mint 17 g.
- Akár 10 méteres hatótáv
- Fülhallgató és Bluetooth-kihangosító üzemmódok
- Bluetooth modul verziószáma 1.2 (lásd. függelék)

Első lépések

A Jabra JX10 cara használata roppant egyszerű. A fülhallgatón található válasz/bontás gomb (attól függően, milyen hosszán tartja lenyomva) többféle művelet végrehajtására is alkalmas.

Utastítások	Nyomvatartás ideje:
Érintés	Nyomja meg röviden
Két érintés	2 gyors egymás utáni érintés
Megnyomás	Kb. 1 mp
Nyomja meg és tartsa lenyomva	Kb. 2-3 mp

1 A mikrofonos fejhallgató feltöltése

Használat előtt a Jabra JX10 cara mikrofonos fejhallgató akkumulátorát teljesen fel kell tölteni. Tápcsatlakozó aljzatról való töltéshez használja a váltóáramú adaptert, de feltöltheti közvetlenül számítógépéről a mellékelt USB kábelen keresztül vagy autós töltőről is – lásd a 3. ábrát. Csatlakoztassa a mikrofonos fejhallgatót a 2. ábra szerint. Amikor a LED folyamatosan vörösen világít, a mikrofonos fejhallgató töltődik.

A feltöltés befejezésekor a LED zöld színben világít.

Feltöltés asztali tartó segítségével

Csatlakoztassa az USB kábelt/AC adaptert az asztali tartóhoz. Helyezze a JX10 cara egységét az asztali tartóba, a 3. ábra szerint.

Figyelmeztetés: Ha hosszú ideig lemerülve hagyja az eszközt, ez az akkumulátor élettartamának jelentős csökkenését eredményezi. Ajánlott az eszközt legalább havonta egyszer feltölteni.


2 A fülhallgató be- és kikapcsolása

- Nyomja meg a válasz/bontás gombot a fülhallgató bekapcsolásához.
- Nyomja meg és tartsa lenyomva a válasz/bontás gombot a fülhallgató kikapcsolásához.

3 Párosítás a telefonnal

Használat előtt a fülhallgatót párosítania kell a mobiltelefonjával.

1. Állítsa a készüléket párosítás üzemmódba

- Győződjön meg róla, hogy a fülhallgató be van kapcsolva
- **Nyomja meg** a párosításra szolgáló gombot .

2. A Jabra JX10 cara felismertetése a telefonnal

Kövesse a telefon használati útmutatójában leírtakat. A beállítás általában a **telefonban**, a "Beállítások", "Kapcsolódás", vagy "Bluetooth" menüpontok alatt kell elvégezni a "Bluetooth eszközök keresése", illetve "hozzáadása" paranccsal. *(A lentebb látható ábra csak illusztráció)*

3. A készülék ezután felismeri a Jabra JX10 cara-et

A telefon rákérdez, hogy szeretné-e párosítani a talált eszközt. Válaszoljon a "Yes", ill. az "OK" gombok megnyomásával és erősítse meg a műveletet a **hálózati jelszó, ill. PIN-kód** megadásával *(alaprételmezésben 4 db nulla)*.

A telefon jelzi, ha a párosítás sikeres volt. Sikertelen párosítás esetén ismétlje meg az 1., 2., és 3. lépéseket.

4 Viselje, ahogy a legkényelmesebb

Alapállapotban a fülhallgatót a jobb fülre kell felhelyezni. A bal fülön való használat előtt óvatosan forgassa el a mikrofontartót.

5 Hogyan...

Fogadjunk hívást

- A bejövő hívás fogadásához **kattintson** a válasz/bontás gombra.

Bontsuk a hívást

- Kattintson** a válasz/bontás gombra az aktív hívás bontásához.

Indítsunk hívást

- Amennyiben hívást kezdeményez mobilkészülékéről, az (telefontól függően) azonnal továbbítja a hívást a fülhallgatónak. Ha a telefonja nem támogatja ezt a funkciót, **kattintson** a válasz/bontás gombra a hívás fogadásához.

Utassunk el hívást*

- A hívásjelzés alatt **nyomja meg** a válasz/bontás gombot a hívás elutasításához. A telefon beállításaitól függően a hívó számára "foglalt" jelzés lesz hallható vagy a hangposta jelentkezik.

Tárcsázás hanggal*

- Nyomja meg a hívásfogadás/befejezés gombot. Az optimális eredmény érdekében a fejhallgatón keresztül vegye fel a hangtárcsázási jelet. Erről a funkcióról további információkat a telefon használati kézikönyvében talál!

Az utoljára tárcsázott szám újrAhívása*

- Kétszer érintse meg a hívásfogadás/befejezés gombot, ha a headset be van kapcsolva, de használaton kívül van!

Állítsuk be a hangerőt

- Nyomja meg** a hangosítás vagy halkítás (+ vagy -) gombot a hangerő beállításához (lásd. 1-s ábra)

Várakoztassunk és tartsunk hívást*

Ez a funkció lehetővé teszi önnek, hogy tartsa a megkezdett hívást és újabb bejövő hívást fogadjon.

- Nyomja meg** a válasz/bontás gombot, a folyamatban lévő hívás tartásához és a bejövő hívás fogadásához.
- Nyomja meg** a válasz/bontás gombot a két hívás közötti váltáshoz.
- Kattintson** a válasz/bontás gombra az aktív hívás befejezéséhez.

* A megjelölt funkciók csak akkor használhatók, amennyiben a telefonja is támogatja azokat.

6 Fényjelzések

Amit lát	Amit a headsetről jelez
Villogó kék fény	Másodpercenként villan fel: aktív hívás
Villogó kék fény	Három másodpercenként villan fel: készenléti állapot
Villogó piros fény	Akkumulátor töltése alacsony
Világító piros fény	Töltés
Világító zöld fény	Teljesen feltöltött
Világító kék fény	Kapcsolatkereső mód – <i>lásd 3 rész</i>

7 A Jabra JX10 cara használata két mobiltelefonnal

A Jabra JX10 cara headset egyszerre két mobiltelefonhoz csatlakoztatható. Ez azt a szabadságot biztosítja Önnek, hogy csupán a headset segítségével működtetheti mindkét mobiltelefont, illetve használhatja a headset funkcióit az 6. fejezet szerint.

Csak arra kell ügyelni, hogy az Utoljára tárcsázott szám újrAhívása funkciónál a készülék az utolsó kimenő hívás számát tárcsázza, függetlenül a rákapcsolt mobiltelefonoktól, továbbá, hogy a hangtárcsázás funkció csak az utoljára párosított mobiltelefonon működik.

8 Jabra Bluetooth kapcsolóelem használata

A Jabra JX10 cara használható Jabra Bluetooth kapcsolóelemmel együtt (amely külön kapható). Ennek köszönhetően a fejhallgatót használhatja mind a mobiltelefonnal, mind pedig az irodai vezetéktes telefonnal.

A Jabra JX10 cara párosítása a Jabra Bluetooth kapcsolóelemmel.

A párosítási folyamat egy kissé eltérő:

- Kapcsolja a Jabra JX10 cara-at párosítási üzemmódba!
- Kapcsolja a Jabra Bluetooth kapcsolóelemet párosítási üzemmódba!
- Helyezze azokat közel egymáshoz! Két Jabra termék párosításához nincs szükség külön PIN kódra. A Jabra Bluetooth kapcsolóelem használati utasításában további információkat talál arra vonatkozóan, hogyan kell azt csatlakoztatni irodai vezetéktes telefonjához

A Jabra JX10 cara használata a Jabra Bluetooth kapcsolóelemmel nagyon hasonló ahhoz, amikor a fejhallgatót csupán mobiltelefonnal használja. Az egyetlen különbség abban nyilvánul meg, hogy az irodai vezetéktes telefonról a hívások továbbításra kerülnek a headsetre.

Hívás átvitele a fejhallgatóra

- Érintse meg a hívásfogadás/befejezés gombot, ha továbbítani kíván egy hívást az irodai vezetéktes telefonról a fejhallgatóra a Jabra Bluetooth kapcsolóelem segítségével!

Az irodai telefonról továbbított hívás fogadásához telefonkagyló-emelőre van szükség, hogy a Jabra JX10 cara automatikusan fogadni tudja a hívást.

9 Hibaelhárítás és GYIK

Sercegő hangot hallok

A legjobb hangminőség elérése érdekében testének mindig ugyanazon az oldalán viselje a headsetet, amelyiken a mobiltelefonját.

Nem hallatszik semmi a headsetemben

- Hangosítsa fel a headsetet.
- Ellenőrizze, hogy a headset társítva legyen a mobiltelefonjához.
- Győződjön meg róla, hogy a telefonja csatlakozik-e a headsethez. Ha nem csatlakozik sem a telefon Bluetooth menüjéből, sem a felvesz/lerak gomb megérintése után, kövesse a társítási eljárást (lásd 3. rész)

Társítási problémáim vannak, bár a telefonom az ellenkezőjét jelzi

Elképzelhető, hogy törölte a headset társítási kapcsolatát a telefonjában. Kövesse a 3. részben leírt társítási utasításokat.

Együtt fog működni a Jabra JX10 cara más Bluetooth eszközökkel?

A Jabra JX10 cara Bluetooth technológiát támogató mobiltelefonokkal való használatra lett tervezve. Egyéb Bluetooth eszközökkel is használható, ha azok megfelelnek a Bluetooth 1.1 vagy 1.2 verziójának és támogatják a headset és/vagy hands-free profilokat.

10 Segítségre van szüksége?

További információk a belső borítón találhatóak.

11 A headset karbantartása

- A Jabra JX10 cara headsetet mindig kikapcsolt állapotban, biztonságos helyen tárolja.
- Ne tárolja extrém hőmérsékleten (45°C/113°F fölött – beleértve a közvetlen tűző napot is – vagy -10°C/14°F alatt); ez ugyanis megrövidítheti az akkumulátor élettartamát, és befolyásolhatja a működést is. A magas hőmérséklet a teljesítményt is ronthatja.
- Ne tegye ki a Jabra JX10 cara-at közvetlen esővíznek vagy más folyadék hatásának.

12 Szerviz- és jótállási információk

Korlátozott kétéves (2 éves) garancia

A GN Netcom AS ("GN") garantálja, hogy ez a termék mentes az anyag- és gyártási hibáktól (az alábbiakban kikötött feltételek esetén) a vásárlás időpontjától számított két (2) éves időtartamra („Jótállási időszak”). A jótállási időszak alatt a GN megjavítja vagy kicseréli (a GN belátása szerint) ezt a terméket vagy annak bármely hibás részét („Garanciális szerviz”). Amennyiben a javítás vagy a csere üzletileg nem keresztülvihető vagy nem lehet időben megvalósítani azt, úgy a GN visszatérítheti Önnek az érintett termék vételárát. A jelen garancia keretében végzett javítás vagy csere nem ad jogot a jótállási időszak bármilyen jellegű meghosszabbítására vagy újratekérésére.

A garancia keretében benyújtott követelések

A garanciális szerviz igénybeviteléhez lépjen kapcsolatba azzal a GN márkakereskedővel, akitől ezt a terméket vásárolta vagy az ügyfélszolgálatlal kapcsolat további információkért látogasson el a www.gnnetcom.com, illetve www.jabra.com weblapra.

Vissza kell juttatnia vagy szállítania ezt a terméket a márkakereskedőnek, illetve a GN cégnek (ha a www.gnnetcom.com vagy a www.jabra.com weblap így rendelkezik) annak eredeti csomagolásában vagy az eredetivel azonos védelmet biztosító csomagolásban.

A termék GN részére történő szállításának költségei Önt terhelik. Garanciális termék esetén a jelen garancia keretében végzett javítást követően a termék visszaszállításának költségeit a GN viseli. A visszaszállítási költségeket kiszámlázzák Önnek a nem garancia alá eső vagy garanciális javítást nem igénylő termékek esetén.

A garanciális szerviz igénybeviteléhez be kell mutatni a következőket: (a) a terméket, valamint (b) a vételi igazolást, amelyen egyértelműen szerepel az eladó neve és címe, a vásárlás időpontja és a termék típusa, továbbá amely egyértelműen bizonyítja, hogy a termékre vonatkozó jótállási idő még nem járt le. Ezen kívül fel kell tüntetni (c) a feladó címét is. (d) a nappal hívható telefonszámot és (e) a visszaküldés okát.

Figyelembe véve, hogy milyen erőfeszítéseket tesz a GN/a Jabra a környezeti hulladékok mennyiségének csökkentése érdekében, Ön tudomásul veszi, hogy a termék esetleg olyan helyreállított részegységekből áll, amelyek használtak, ill. részben újragymunkált alkatrészeket tartalmaznak. A használt alkatrészek kivétel nélküli megfelelnek a GN/a Jabra minőségi szabványainak, továbbá összhangban állnak a GN termékfejlesztésére és megbízhatóságra vonatkozó specifikációival. Ön tudomásul veszi, hogy a kicserélt alkatrészek vagy alkotóelemek a GN tulajdonába kerülnek.

A garancia korlátozása

Ez a garancia csak az eredeti vásárlóra nézve érvényes és automatikusan megszűnik a lejártát megelőzően, ha a terméket eladják, vagy más módon átruházzák. A GN által ebben a nyilatkozatban biztosított garancia kizárólag a használat és nem vizionteladás céljából vásárolt termékekre vonatkozik. Az nem érvényes a kibontott csomagolású, mindenfajta garancia nélküli értékesített termékekre.

13 Szószedet

- 1 Bluetooth:** rádiotechnológia, amely segítségével kis hatótávolságon belül (kb. 10 méter) vezeték nélküli kapcsolat létesíthető olyan eszközök között, mint mobiltelefonok és headsetek. További információ: www.bluetooth.com.
- 2 Bluetooth profilok:** a Bluetooth eszközök különböző kommunikációs módszerei. A Bluetooth technológiát támogató mobiltelefonok vagy a headset profil, vagy a hands-free profil, vagy mindkettőt támogatják. Egy adott profil támogatásához a telefon gyártójának bizonyos kötelező szoftverelemeket kell beépítenie a készülékbe.
- 3 Társítás:** a különböző Bluetooth eszközök között teremt egyedi, titkosított kapcsolatot, és lehetővé teszi, hogy azok egymással kommunikáljanak. A Bluetooth eszközök társítás nélkül nem működnek.
- 4 Jelszó vagy PIN:** az a kód, amit a mobiltelefonunkba kell beírunk ahhoz, társíthassuk a Jabra JX10 cara headsettel. Ennek hatására felismeri egymást a mobiltelefon és a Jabra JX10 cara, és automatikusan megkezdik az együttműködést.
- 5 Készlenléti állapot:** amikor a Jabra JX10 cara passzívan várakozik telefonhívásra. Amikor „leteszi” a mobiltelefonját, a headset készlenléti állapotra vált.

Kifejezetten mentesek bármilyen jótállástól a normál kopásnak kitett korlátozott élettartamú fogyó eszközök, például a mikrofon védőfalak, fejhallgató párnák, dekoratív felületi kikapcsolók, elemek és más tartozékok.

Ez a garancia érvénytelen, ha a gyárilag elhelyezett sorozatszámot, dátumkód-címket vagy termék címkét megváltoztatják, illetve eltávolítják erről a termékről.

A garancia nem vonatkozik a kozmetikai jellegű károkra vagy a téves használatból, a rossz célra való alkalmazásból, hanyagságból, természeti csapásból, balesetből, továbbá a termék vagy bármely részének szétszedéséből vagy módosításából eredő károkra. Ez a garancia nem vonatkozik a helytelen használatból, karbantartásból vagy felszerelésből, illetve nem a GN vagy GN márkakereskedő (amelyek jogosultak a GN garanciális munkák végrehajtására) által végzett javításból eredő károkra. Bármely illetéktelen javítás e garancia érvénytelenítését vonja maga után.

A JELEN GARANCIA KERETÉBEN ESZKÖZÖLT JAVÍTÁSOK VAGY CSERÉK JELENTIK A FOGYASZTÓ EGYEDÜLI JOGORVOSLATÁT. A GN NEM FELEL SEMMILYEN VÉLETLENÜL VAGY KÖVETKEZMÉNYKÉNT FELMERÜLŐ KÁRÉRT, VALAMINT E TERMÉKRE VONATKOZÓ KIFEJEZETT VAGY HALLGATÓLAGOS GARANCIA MEGSÉRTÉSÉÉRT. A TÖRVÉNY ÁLTAL TILTOTT MÉRTÉKTŐL ELTEKINTVE EZ A GARANCIA KIZÁRÓLAGOSNAK TEKINTENDŐ ÉS HELYETTESÍT BÁRMELY KIFEJEZETT, ILLETVE HALLGATÓLAGOS GARANCIÁT, BELEÉRTVE (NEM KIZÁRÓLAGOSAN) AZ ÉRTÉKESÍTHETŐSÉGGEL ÉS EGY MEGHATÁROZOTT GYAKORLATI CÉLRA VALÓ ALKALMASSÁGGAL KAPCSOLATOS GARANCIÁT IS.

MEGJEGYZÉS! Ez a garancia különleges törvényes jogokat biztosít Önnek. Ezen kívül Ön más jogokkal is rendelkezhet, amelyek az adott helyszíntől függően eltérőek lehetnek. Egyes törvények nem engedélyezik a véletlenül vagy következményként felmerülő károk, illetve a hallgatóságos garanciák kizárását vagy korlátozását, ezért a fenti kizárások nem biztos, hogy érvényesek Önre nézve is. Ez a garancia nem érinti az Ön vonatkozó országos vagy helyi törvények által megszabott jogait.



A terméket a helyi szabványoknak és rendeleteknek megfelelő hulladékgyűjtőben ártalmatlanítsa. www.jabra.com/weee

٩ استكشاف وإصلاح الخلل، الأسئلة الشائعة

أسمع صبح خشيشة

لأفضل جودة صوتية، ضع سماعة الرأس دائماً على نفس الجانب من الجسم الذي تضع عليه هاتفك النقال.

لا يمكنني سماع أي شيء في سماعة الرأس

- قم برفع الصوت على سماعة الرأس.
- تأكد أن سماعة الرأس تمت موائفتها بالهاتف.
- تأكد أن الهاتف موصل بسماعة الرأس - إذا لم يتم التوصل إما من قائمة البلوتوث الخاصة بالهاتف أو بالنقر على زر الاستقبال/الإنهاء، اتبع تعليمات التوليف (أنظر القسم ٣).

أواجه مشكلات في التوليف على الرغم أن الهاتف يشير عكس ذلك.

يمكن أن تكون قد ألغيت ارتباط موائفة سماعة الرأس في هاتفك النقال، اتبع تعليمات التوليف في قسم ٣.

هل ستعمل سماعة الرأس جيرا JX10 cara مع معدات بلوتوث أخرى؟

تم تصميم سماعة الرأس جيرا JX10 cara لتعمل مع الهواتف النقالة العاملة بتقنية البلوتوث. كما يمكنها أن تعمل مع أجهزة بلوتوث أخرى متوافقة مع تقنية بلوتوث الإصدار ١,٢ أو ١,٣ وتدعم سماعة الرأس و/أو تقنية التشغيل دون استخدام اليدين.

لا يمكنني استخدام رفض المكالمات، وضع المكالمات على الانتظار، إعادة طلب الرقم أو طلب الاتصال صوتياً

تعتمد هذه الوظائف على دعم هاتفك لهذه الميزات. يرجى مراجعة دليل المستخدم الخاص بهاتفك لمزيد من التفاصيل

١٠ هل تحتاجون لمساعدة أخرى؟

ما عليكم سوى الاتصال بنا وسوف يسرنا أن نقوم بمساعدتكم.

- موقع الإنترنت: www.jabra.com (للحصول على أحدث معلومات الدعم وكتيبات المستخدم الإلكتروني)
- البريد الإلكتروني: يرجى الإطلاع على الغلاف الداخلي الأمامي لتفاصيل خدمة العملاء
- الهاتف: يرجى الإطلاع على الغلاف الداخلي الأمامي لمعرفة رقم هاتف خدمة العملاء في بلدكم.

١١ الاعتناء بسماعة الرأس

- يجب تخزين سماعة الرأس جيرا JX10 cara في وضع الإغلاق دائماً وحفظها بأمان.
- يجب تجنب التخزين في درجات حرارة قصوى (أعلى من ٤٥° مئوية/١١٣° فهرنهايت، بما فيها ضوء الشمس المباشر، أو أقل من -١٠° مئوية/١٤° فهرنهايت). قد يقصر ذلك من أمد البطارية ويؤثر على التشغيل. درجات الحرارة العالية قد تقلل أيضاً من جودة الأداء.
- يجب عدم تعريض سماعة الرأس جيرا JX10 cara للمطر أو لسوائل أخرى.

١٢ معلومات الخدمة والضمان

ضمان محدود لمدة عامين

تضمن ("GN") GN Netcom AS . خلو هذا المنتج من العيوب في مواد الصناعة وجودتها (حسب الشروط الواردة أدناه) لمدة عامين اثنين (2) من تاريخ الشراء ("فترة الضمان"). ستقوم GN بإصلاح أو استبدال (حسبما نرى GN) هذا المنتج أو أية أجزاء معينة. خلال فترة الضمان ("خدمة أثناء فترة الضمان")، في حالة عدم إمكانية إجراء الإصلاح أو الاستبدال من الناحية الجارية أو لم يكن في الإمكان إتمامها في الوقت المناسب، فقد تختار GN أن تعيد إليك القيمة وفقاً للسعر الذي اشترت به المنتج المعيب، أي إصلاح أو استبدال يتم وفقاً لشروط هذا الضمان لا يعطي الحق في تمديد فترة الضمان أو بدء فترة ضمان جديدة.

المطالبات بموجب الضمان

للحصول على صيانة خلال الضمان، يرجى الاتصال بموزع GN الذي اشترت منه هذا المنتج، أو قم بزيارة www.gnnetcom.com أو www.jabra.com للحصول على مزيد من المعلومات حول دعم العملاء. يجب عليك إعادة هذا المنتج إلى الموزع أو إرساله إليه أو إلى GN (في حالة الإشارة إلى ذلك على www.gnnetcom.com أو www.jabra.com) عن طريق الشحن إما في العبوة الأصلية أو في عبوة تضمنها درجة مساوية من الحماية.

وسيكون عليك أن تتحمل مصاريف شحن المنتج إلى GN. إذا كان المنتج مشمولاً بالضمان، ستحمل GN تكلفة شحن المنتج إليك مرة أخرى بعد الانتهاء من الصيانة بموجب الضمان. سيتم تحميل تكاليف الشحن عند إعادة المنتج إذا كانت المنتجات غير مشمولة بالضمان أو لا تحتاج إلى إصلاح خلال الضمان.

يجب تقديم المعلومات التالية للحصول على خدمة خلال الضمان: (أ) المنتج، و(ب) دليل الشراء، موضع عليه بوضوح اسم وعنوان البائع وتاريخ الشراء ونوع المنتج. كدليل على أن هذا المنتج ضمن فترة الضمان. كما يرجى تضييق (ج) عنوان المرسل كذلك، (د) رقم الهاتف في أوقات النهار، و(هـ) سبب إعادة المنتج. عليك أن تدرك أنه، في إطار جهود GN/Jabra الساعية إلى تقليل النفقات البيئية، ربما يتكون المنتج من تجهيزات مجددة تحتوي على مكونات مستخدمة، والبعض منها معاد تشغيله. كافة هذه المكونات المستعملة ترفى إلى معايير GN/Jabra عالية الجودة وتتوافق مع مواصفات GN لأداء المنتج واعتماديته. كما يجب أن تدرك أن الأجزاء أو المكونات المستبدلة ستصاح ملكاً لشركة GN.

• انقر زر الرد/الإنتهاء على سماعتك للرد على المكالمة.

• انقر زر الرد/الإنتهاء لإنهاء مكالمة نشطة.

• عندما تجري مكالمة من هاتفك المحمول، سيتم (وفقاً لإعدادات الهاتف) تحويل المكالمة تلقائياً إلى سماعتك. إذا كان هاتفك لا يدعم هذه الميزة، انقر زر الرد/الإنتهاء على سماعة Jabra JX10 cara لتلقي المكالمة على السماعة.

• اضغط زر الرد/الإنتهاء عند رنين الهاتف لرفض مكالمة واردة. تبعاً لإعدادات هاتفك، سيتم تحويل الشخص المتصل إلى بريدك الصوتي، أو سيسمع إشارة مشغول.

• اضغط زر الرد/الإنتهاء، للحصول على أفضل النتائج، قم بتسجيل علامة طلب الاتصال الصوتي عبر سماعة الرأس الخاصة بك. فضلاً راجع دليل مستخدم الهاتف للمزيد من المعلومات حول استخدام هذه الخاصية.

• المس مرتين زر الرد/الإنتهاء عندما تكون سماعة الرأس قيد التشغيل وغير مستخدمة.

• اضغط زر رفع أو خفض الحجم (+ أو -) لضبط حجم الصوت. Show fig.

تتيح لك هذه الخاصية وضع مكالمة في وضع الانتظار أثناء المحادثة، والرد على مكالمة منتظرة.

• اضغط زر الرد/الإنتهاء مرة واحدة لوضع المكالمة النشطة في وضع الانتظار والرد على المكالمة المنتظرة.

• اضغط زر الرد/الإنتهاء للتبديل بين المكالمتين.

• انقر زر الرد/الإنتهاء لإنهاء المحادثة النشطة.

• الوظائف المعلمة بالعلامة * تتوقف على مدى دعم هاتفك لهذه الميزات. يرجى الرجوع إلى دليل المستخدم الخاص بهاتفك للحصول على مزيد من المعلومات.

ما تراه	ما يعنيه بالنسبة لسماعتك
ضوء أزرق وامض	يومض كل ثانية؛ ينشط أثناء مكالمة
ضوء أزرق وامض	يومض كل ثلاث ثوانٍ؛ في وضع الاستعداد للتشغيل
ضوء أحمر وامض	انخفاض شحنة البطارية
ضوء أحمر ثابت	جاري الشحن
ضوء أخضر ثابت	مشحونة بالكامل
ضوء أزرق ثابت	في وضع الاقتران - انظر قسم ٣

استخدام سماعة رأس Jabra JX10 cara مع هاتفين جوالين

إن سماعة رأس Jabra JX10 cara قادرة على التوصيل بهاتفين جوالين في وقت واحد. سيتمكنك ذلك حرية امتلاك سماعة رأس واحدة لتشغيل هاتفين جوالين، وتشغيل الوظائف الموجودة في سماعة الرأس حسيما هو موصوف في القسم رقم ٦.

فقط يتعين ملاحظة أن خاصية إعادة الاتصال بأخر رقم سوف تطلب الرقم المستخدم في آخر مكالمة تم إجراؤها بغض النظر عن خصائص الهواتف الجوال، كما ستعمل وظيفة طلب الاتصال الصوتي مع آخر هاتف جوال تمت المزاجه معه.

استخدام موزع Jabra بلوتوث

يمكن استخدام سماعة الرأس Jabra JX10 cara مع موزع Jabra بلوتوث (يباع بشكل مستقل). سيتمكنك ذلك من استخدام سماعة الرأس مع كل من الهاتف الجوال وهاتف المكتبى.

لمزاجه سماعة الرأس Jabra JX10 cara مع موزع Jabra بلوتوث

تختلف عملية المزاجه هنا بعض الشيء:

- ضع سماعة الرأس Jabra JX10 cara في وضع المزاجه
- ضع موزع Jabra بلوتوث في وضع المزاجه.
- ضع السماعة والموزع بالقرب من بعضهما. لن تحتاج إلى كود رقم تعريف شخصي لمزاجه كلا منتجي Jabra. فضلاً راجع دليل مستخدم موزع Jabra بلوتوث للمزيد من المعلومات حول كيفية توصيل موزع بلوتوث بهاتفك المكتبى.

يشابه استخدام سماعة رأس Jabra JX10 cara مع موزع Jabra بلوتوث استخدام سماعة الرأس مع هاتف جوال فقط. ويمكن الاختلاف الوحيد في تحويل المكالمة إلى سماعة الرأس من هاتف مكتبى.

تحويل المكالمة إلى سماعة الرأس

- المس زر الرد/الإنتهاء لتحويل مكالمة من الهاتف المكتبى إلى سماعة الرأس عبر موزع Jabra بلوتوث

يتطلب الرد على مكالمة من الهاتف المكتبى حامل سماعة حتى تتمكن سماعة الرأس Jabra JX10 cara من الرد على المكالمة تلقائياً.

ما الذي يمكن لسماعتك أن تقوم به

تتيح لك سماعة Jabra JX10 cara أن تقوم بكل ما يلي (يتوقف ذلك على دعم هاتفك لتلك الوظائف):

- الرد على المكالمات
- إنهاء المكالمات
- رفض المكالمات*
- الاتصال الصوتي*
- إعادة الاتصال بأخر رقم*
- انتظار المكالمات*
- وضع المكالمات في وضع الانتظار*

* حسب نوع الهاتف

الوصافات

- يصل زمن التحدث إلى 6 ساعات/ يصل زمن الاستعداد للتشغيل إلى 200 ساعة
- بطارية قابلة لإعادة الشحن مزودة بخيار الشحن من أحد مصادر التيار المتردد أو جهاز الكمبيوتر عبر كبل USB أو شاحن سطح المكتب أو شاحن السيارة
- وزن أقل من 17 جراما
- نطاق التشغيل يصل إلى 10 أمتار (33 قدماً تقريباً)
- ملفات تعريف بلوتوث لسماعة الرأس وخاصة التكلم الحر بدون استخدام اليدين
- مواصفات بلوتوث الإصدار 1.2 (انظر مسرد المصطلحات)

الشروع في الاستخدام

تميز سماعة Jabra JX10 cara بسهولة الاستخدام. يؤدي زر الرد/الإنهاء الموجود على السماعة وظائف مختلفة تبعاً لطول مدة الضغط عليه.

الإرشادات:	مدة الضغط:
اللمس	الضغط لفترة قصيرة
اللمس مرتين	٢ اللمس المتكرر السريع
الضغط	لمدة ١ ثانية تقريباً
الضغط مع الاستمرار في الضغط	٢-٣ ثوان تقريباً

شحن سماعة الرأس

تأكد من شحن سماعة الرأس Jabra JX10 cara بالكامل قبل البدء في استخدامها. استخدم مهاتن التيار المتردد للشحن من مقبس تيار كهربائي، أو اشحن مباشرة من جهاز الكمبيوتر الشخصي باستخدام كبل USB المرفق، أو اشحن باستخدام شاحن السيارة - انظر الشكل 3 - توصيل سماعة الرأس حسبما هو موضح بالشكل 2.

عندما يكون ضوء المؤشر باللون الأحمر الثابت فهذا يعني أن سماعة الرأس قيد الشحن.

عندما يكون ضوء المؤشر باللون الأخضر فهذا يعني أنه تم شحنها بالكامل.

الشحن من حامل سطح المكتب

قم بتوصيل كبل USB/ مهاتن التيار المتردد بحامل سطح المكتب. ضع سماعة الرأس JX10 cara في حامل سطح المكتب حسبما هو موضح في الشكل 3.


الرجاء ملاحظة: أن عمر البطارية سيقبل بشكل كبير إذا ظل الجهاز من دون شحن لمدة طويلة. لذا ننصح بإعادة شحن الجهاز مرة كل شهر على الأقل.

٢ تشغيل وإيقاف تشغيل السماعة

- اضغط على زر الرد/الإنهاء لتشغيل سماعتك.
- اضغط واستمر في الضغط على زر الرد/الإنهاء لإيقاف تشغيل سماعتك.

٣ إقران السماعة مع الهاتف

يجب قبل استخدام سماعة Jabra JX10 cara، أن تقرنها مع هاتفك المحمول.

١. ضبط السماعة في وضع الاقتران
 - تأكد من تشغيل السماعة.
 - اضغط زر الاقتران المعلم بعلامة 

٢. اضبط هاتفك المزود بتقنية Bluetooth من أجل "استكشاف" سماعة Jabra JX10 cara اتبع دليل إرشادات الهاتف الخاص بك. وفي العادة، تشتمل الخطوات على الذهاب إلى قائمة "الإعداد"، "التوصيل"، أو "Bluetooth" الموجودة بالهاتف ثم خدي خيار "استكشاف" أو "إضافة" جهاز Bluetooth. / انظر المثال المأخوذ من هاتف محمول عادي في شكل ١٥

٣. سيعثر هاتفك على سماعة Jabra JX10 cara وسيسألك عما إذا كنت تريد إقرانها به. قم بالموافقة بالضغط على "نعم" أو "موافق" على الهاتف ثم التأكيد بإدخال المفتاح السري أو PIN = 0000 (٤ أصفار).

سيقوم هاتفك بتأكيد انتهاء الاقتران. في حالة عدم نجاح الاقتران، كرر الخطوات من ١ إلى ٣.

٤ قم بارتدائها كيفما تحب

السماعة Jabra JX10 cara مزهجة لارتدائها على أذنك اليمنى. فإذا كنت تفضل اليسرى، ارفع خفاف الأذن برفق وأدره ليناسب الأذن اليسرى. انظر الشكل ٣.

شكراً لافئانكم سماعة الرأس جبرا JX10 cara بلوتوث®. أملين أن تستمتعا باستخدامها. بين كتيب التعليمات هذا والاستعداد لاستخدام سماعة الرأس بأفضل ما يمكن.

تحذير!

سماعات الرأس قادرة على توفير أصوات بمستويات صاخبة ونغمات ذات نبرة عالية. قد يؤدي التعرض لهذه الأصوات إلى الإصابة بفقدان مؤقت للسمع. قد يتفاوت مستوى الصوت وفقاً للظروف مثل الهاتف الذي تستخدمه. والإعدادات الخاصة بالاستقبال والصوت. والبيئة. الرجاء قراءة الإرشادات الخاصة بالسلامة قبل استخدام سماعة الرأس هذه.

إرشادات السلامة

1. اتبع الخطوات التالية قبل استخدام هذا المنتج:

- قبل ارتداء سماعة الرأس قم بتحويل زر التحكم في مستوى الصوت إلى أدنى مستوى له.
- ارتد سماعة الرأس ثم
- اضبط ببطء زر التحكم في مستوى الصوت إلى مستوى مريح.

2. أثناء استخدام هذا المنتج

- احتفظ بالصوت عند أقل مستوى ممكن له وتجنب استخدام سماعة الرأس في بيئات عالية الضجيج حيث قد تميل إلى رفع مستوى الصوت:
- إذا كان رفع مستوى الصوت أمراً ضرورياً، قم بضبط زر التحكم في مستوى الصوت ببطء:
- إذا شعرت بعدم الراحة أو طنين في الأذن، توقف فوراً عن استخدام سماعة الرأس واستشر الطبيب.

إذا قمت باستخدام سماعات الرأس مع زيادة حجم الصوت بشكل مستمر، سوف تعاد الأذن على مستوى الصوت، مما قد يؤدي إلى تدمير حاسة السمع نهائياً دون دراية.

قد يُمَثَّل استخدام سماعات الرأس أثناء قيادة السيارات. أو الدراجات البخارية. أو الدراجات المائية أو الدراجات العادية خطيرة. وقد يكون غير قانوني في بعض البلدان. عليك بالإطلاع على القوانين المحلية. كن حذراً عند استخدام سماعات الرأس بينما تقوم بأي عمل آخر يحتاج تركيزاً كاملاً. أثناء القيام بأي عمل آخر من شأن إزالة السماعات من أذنيك أو إيقاف تشغيل سماعات الرأس المحافظة على عدم تشتت انتباهك. حتى تتجنب الوقوع في حادث أو التعرض للإصابة.

3. يحفظ بعيداً عن متناول يد الأطفال:

الأكياس البلاستيكية المعبأ بها المنتج وأجزؤه لا تصلح لعباً للأطفال. فقد تؤدي تلك الأكياس أو الأجزاء الصغيرة المتعددة التي تحتويها إلى التنسب في حالة ابتلاعها. لا تحاول مطلقاً تفكيك المنتج بنفسك. لا توجد أية أجزاء داخلية يمكن للمستخدم استبدالها أو إصلاحها بنفسه.

يمكن فقط للمبائعين المعتمدين أو مراكز الخدمة فتح المنتج. في حالة الحاجة إلى استبدال أي جزء من المنتج لأي سبب كان بما في ذلك البلى الناتج عن الاستعمال العادي أو نتيجة الكسر. يجب الاتصال بالبالغ.

تجنب تعريض المنتج للأمطار أو أية سوائل أخرى.

يجب التخلص من المنتج وفقاً للمعايير واللوائح المحلية.
www.gnnetcom.com/weee

4. اشتعال الأجزاء الملتهبة – ACA TS028

لا تستخدم سماعات الرأس في البيئات التي يوجد بها مخاطر اشتعال غازات ملتهبة.

حول Jabra JX10 cara

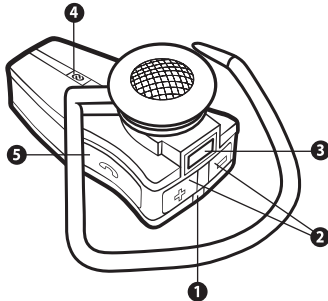
1. ضوء اللمبة (LED)

- الضوء الأزرق يبين وضع الاقتران. أو النشط. أو الاستعداد للتشغيل)
 - الضوء الأحمر/الأخضر يبين مستوى شحن البطارية (انخفاض الشحنة. أو جاري الشحن. أو مشحونة)
2. رفع حجم الصوت (+). خفض حجم الصوت (-)
3. مقياس الشحن
4. زر الاقتران - اضغط لوضع السماعة في وضع الاقتران
5. زر الابد/الإنهاء

• اضغط لتشغيل السماعة (ظهور الوميض الأزرق المفاجئ يعني النجاح في التشغيل)

• اضغط واستمر في الضغط لإيقاف تشغيل السماعة (ظهور الوميض الأزرق المفاجئ يعني النجاح في إيقاف التشغيل)

• انقر للرد على المكالمة أو إنهائها



العربية

٨٣	شكراً لكم
٨٢	حول Jabra JX10 cara
٨١	ما الذي يمكن لسماعتك أن تقوم به
٨١	الشروع في الاستخدام
٨١	شحن سماعة الرأس
٨٠	تشغيل وإيقاف تشغيل السماعة
٨٠	إقران السماعة مع الهاتف
٨٠	قم بارتدائها كيفما تحب
٧٩	كيفية...
٧٨	دلالات الأضواء
٧٨	استخدام سماعة رأس Jabra JX10 cara مع هاتفين جوالين
٧٨	استخدام موزع Jabra بلوتوث
٧٧	استكشاف وإصلاح الخلل، الأسنان الشائعة
٧٧	هل تحتاجون لمساعدة أخرى؟
٧٦	الاعتناء بسماعة الرأس
٧٦	معلومات الخدمة والضمان
٧٤	مسرد الكلمات